

Full Scale Adjustment

This is done and Q.Ced in our factory. However, after adding voltage divider, further adjustment sometimes is needed to the trimpot on the back of this DPM.

Decimal Point Selection

The decimal point is user selectable for three positions by simple pinstrapping: The decimal point is selected as follows:

Pin 13 shortcircuits to Pin 1 - lights the decimal point left to hundreds digit

Pin 12 shortcircuits to Pin 1 - lights the decimal point left to tens digit

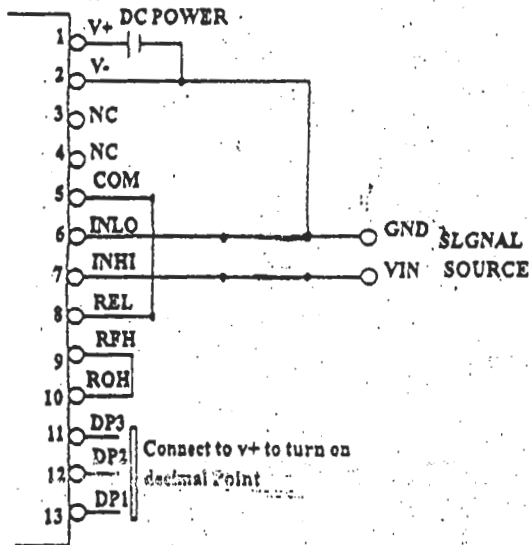
Pin 11 shortcircuits to Pin 1 - lights the decimal point left to units digit

Caution

For CX101A, the supply voltage should be between 7.2-12V DC

For CX101B, the supply voltage should be between 4.75-5.25V DC.

Outside the operating voltage will damage the units permanently.



Wiring Diagram for CX101. BG
used in a common ground application.