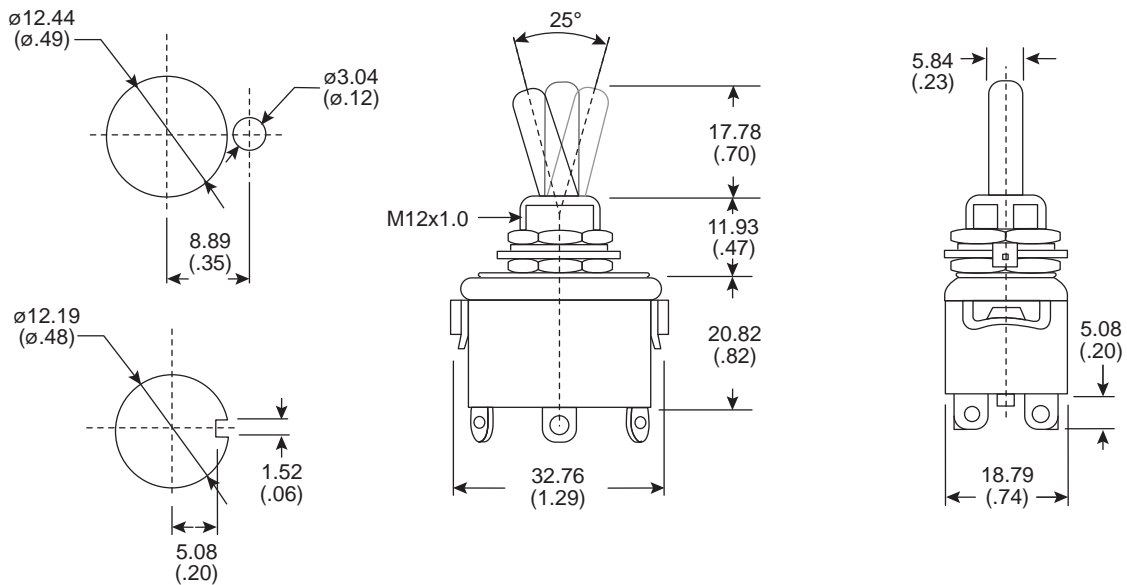
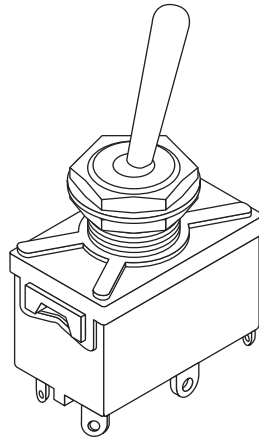


Dimensions: mm (In.)



**Electrical Specifications:**

- Rating: 10A/250VAC, 15A/125VAC
- Contact Resistance: 20m $\Omega$  @ 2-4VDC 1A
- Insulation Resistance: 200M $\Omega$  @ 500VDC
- Dielectric Strength: 1500VAC
- Electrical Life: Over 6,00 Cycles

**Mechanical Specifications:**

- Circuit: DPDT, On-On

**Soldering Process:**

- Soldering Iron: 60w  
Solder: 1.60 RH 50 (SN50%)  
Temperature: 350°C  
Complete Soldering: 2 Seconds
- Soldering Iron: 40w  
Solder: 1.00 RH 64 (SN64%)  
Temperature: 250°C  
Complete Soldering: 2-3 Seconds

**Toggle Switch**  
10TE007

