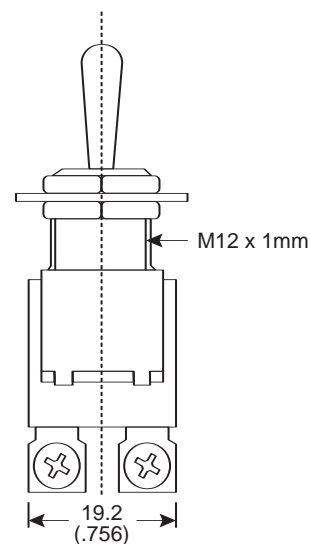
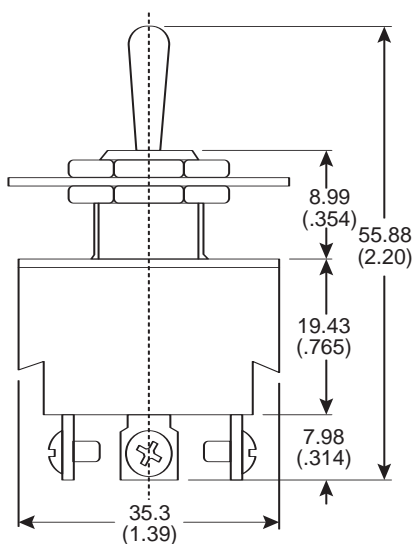
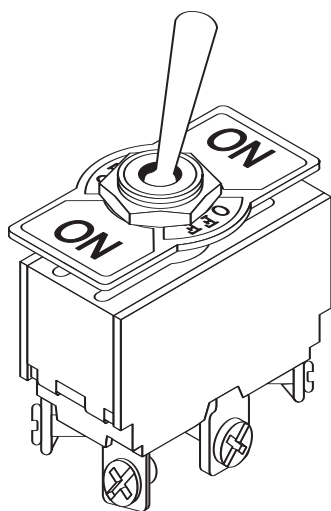


Dimensions: mm (In)

**Electrical Specifications:**

- Rating: 10A/125VAC, 3A/250VAC
- Contact resistance: 50mΩ max.
- Insulation resistance: 500VDC 100MΩ min.
- Dielectric strength: 1000VAC for 1 minute

Mechanical Specifications:

- Circuit: 6P DPDT on-off-on
- Mechanical Life: 20,000 cycles

Materials:

- Case: phenol or melamine
- Toggle handle: A, acrylonitrile - butadiene - styrene; B, brass, chrome plated
- Bushing: brass, chrome plated
- Housing: mild steel, zinc plated
- End contact: coin silver
- End terminal: brass, silver plated
- Center contact & terminal: brass, coin silver or silver plated
- Hardware: nut - brass, nickel plated
- Spring washer: spring steel bright zinc plated

Toggle Switch
10TE008

Mountain
Switch