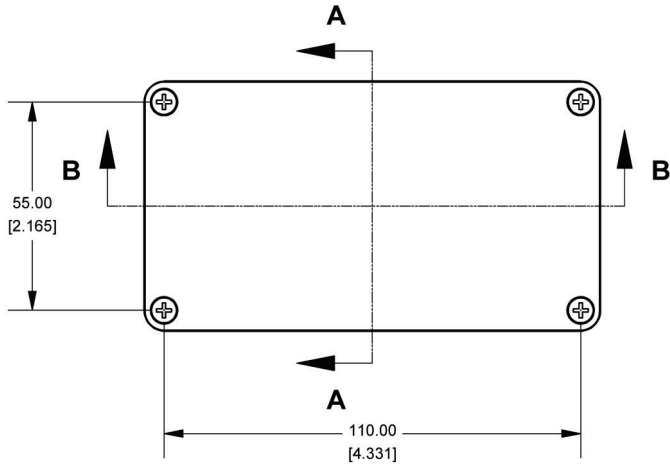
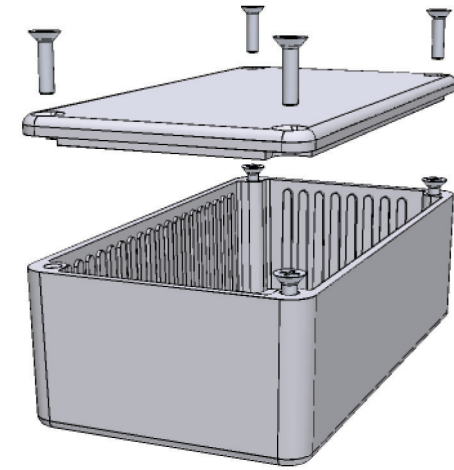
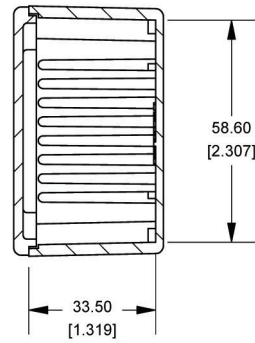


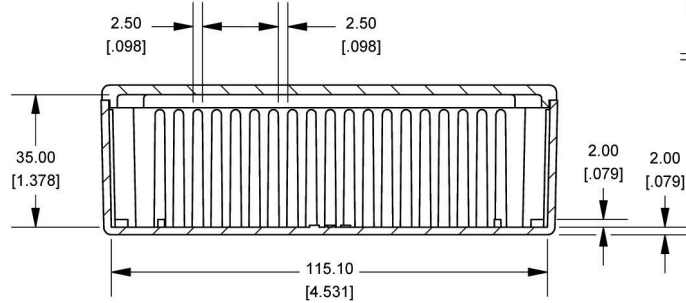
Top View of Assembly



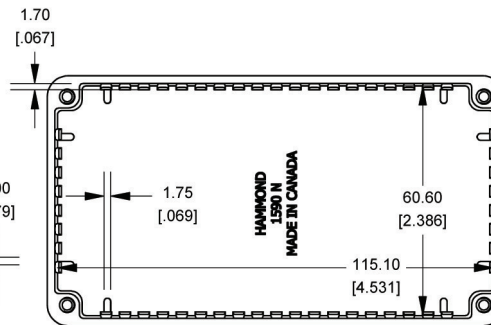
SECTION A-A
End View of Assembly



SECTION B-B
Side View of Assembly



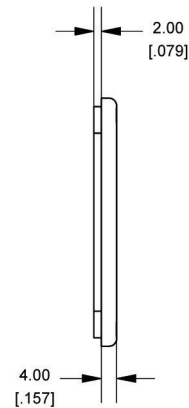
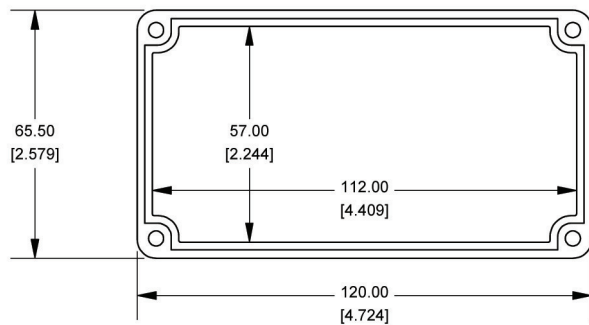
Top View Looking Inside Box



NOTE

Purchased assembly includes box, lid and 4 cover screws.
Box and lid are made from Diecast Aluminum Alloy (alloy type 380).

Lid



Recommended Torque: 75 ozf.in / 55 cN.m

**HAMMOND
MANUFACTURING™**

1590N

www.hammondmfg.com