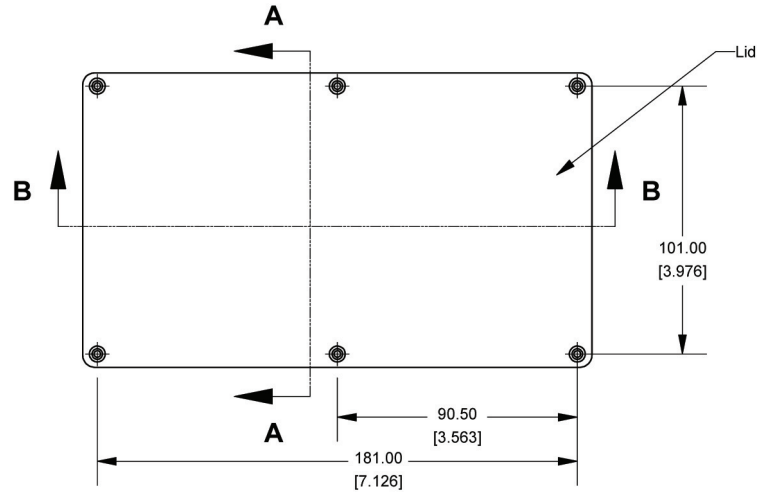
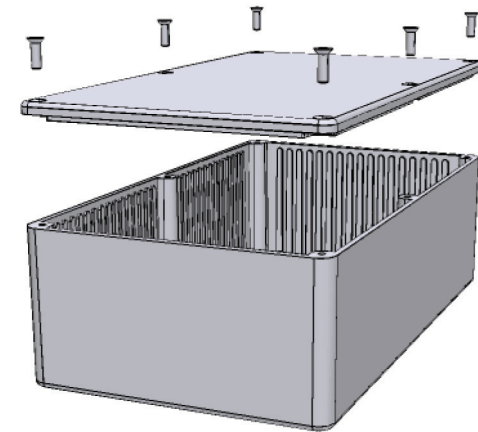
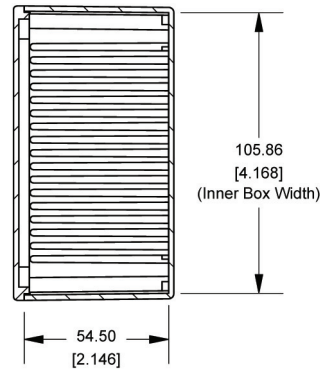


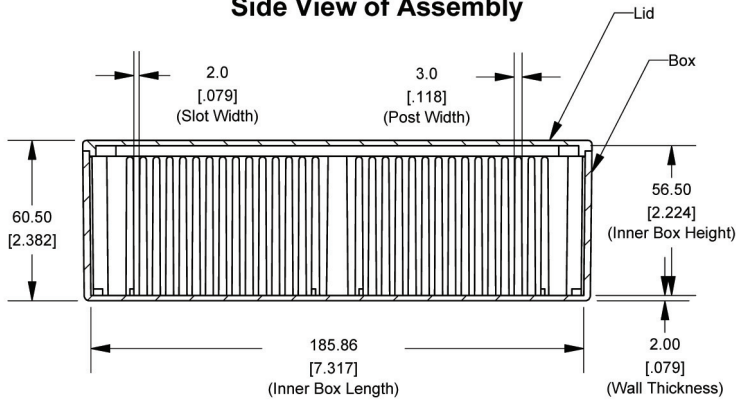
### Top View of Assembly



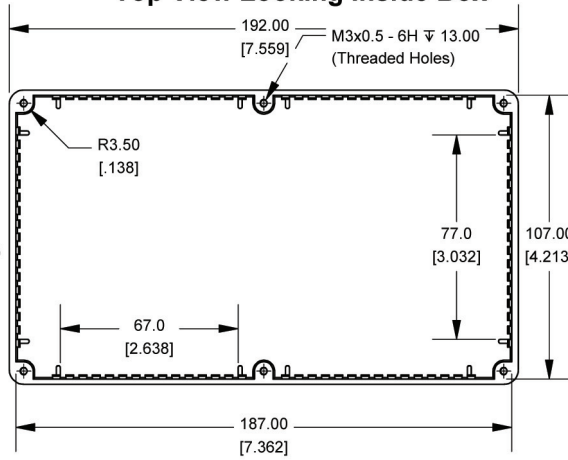
### SECTION A-A End View of Assembly



### SECTION B-B Side View of Assembly

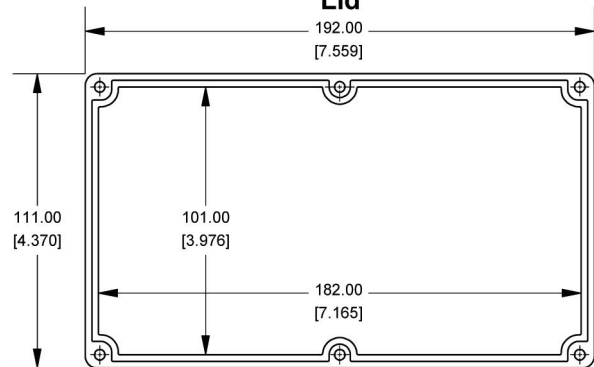


### Top View Looking Inside Box

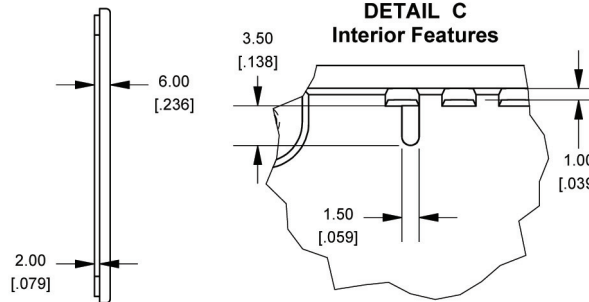


**NOTE**  
Purchased assembly includes box, lid and 6 cover screws.  
Box and lid are made from Diecast Aluminum Alloy (alloy type 380).

### Lid



### DETAIL C Interior Features



Recommended Torque: 75 ozf.in / 55 cN.m

