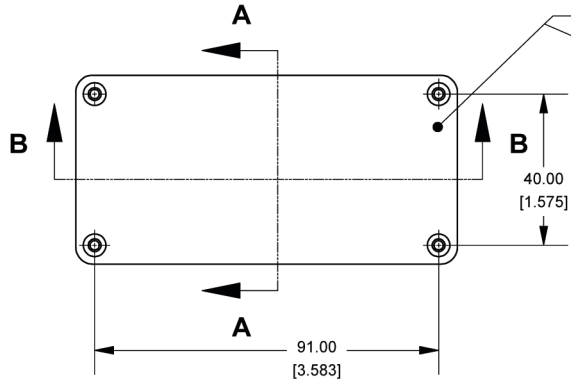
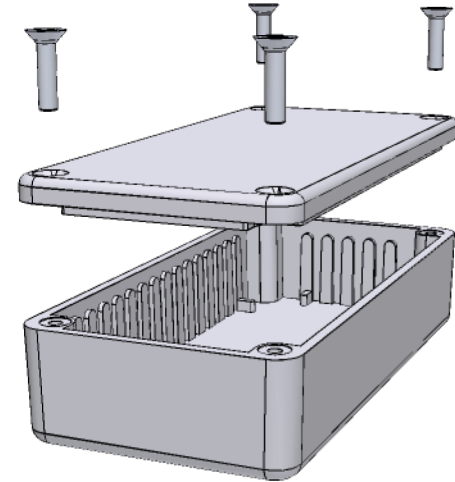
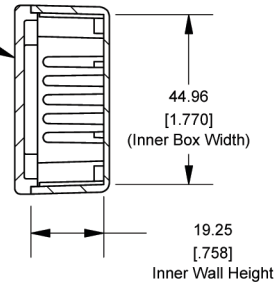


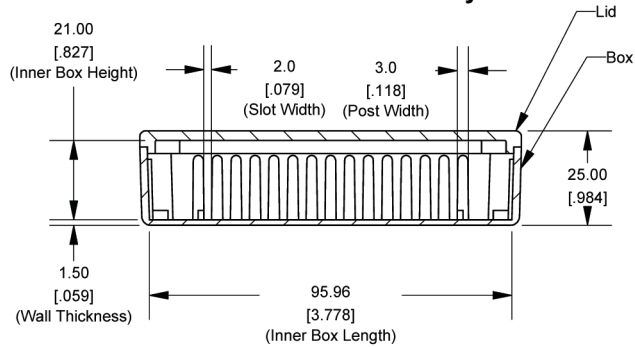
Top View of Assembly



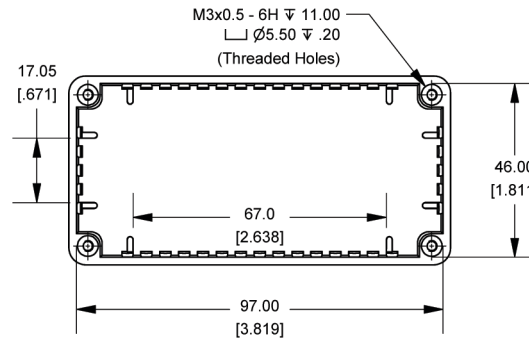
**SECTION A-A
End View of Assembly**



**SECTION B-B
Side View of Assembly**



Top View Looking Inside Box

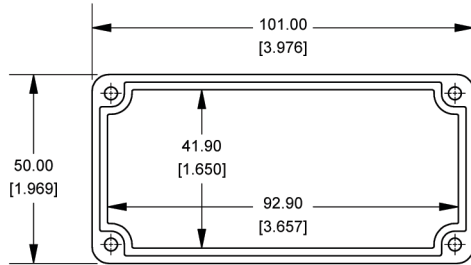


NOTE

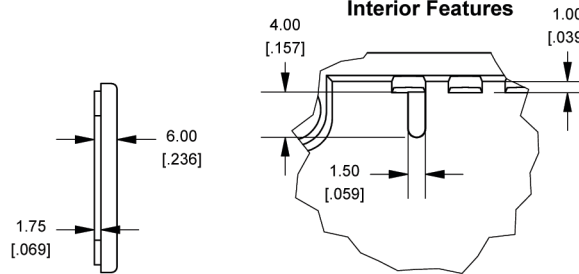
Purchased assembly includes box, lid and 4 cover screws.
Box and lid are made from Diecast Aluminum Alloy (alloy type 380).
Silicone Gasket Loctite #5950

1590L Enclosure

Lid



**DETAIL C
Interior Features**



Recommended Torque: 75 ozf.in / 55 cNm

