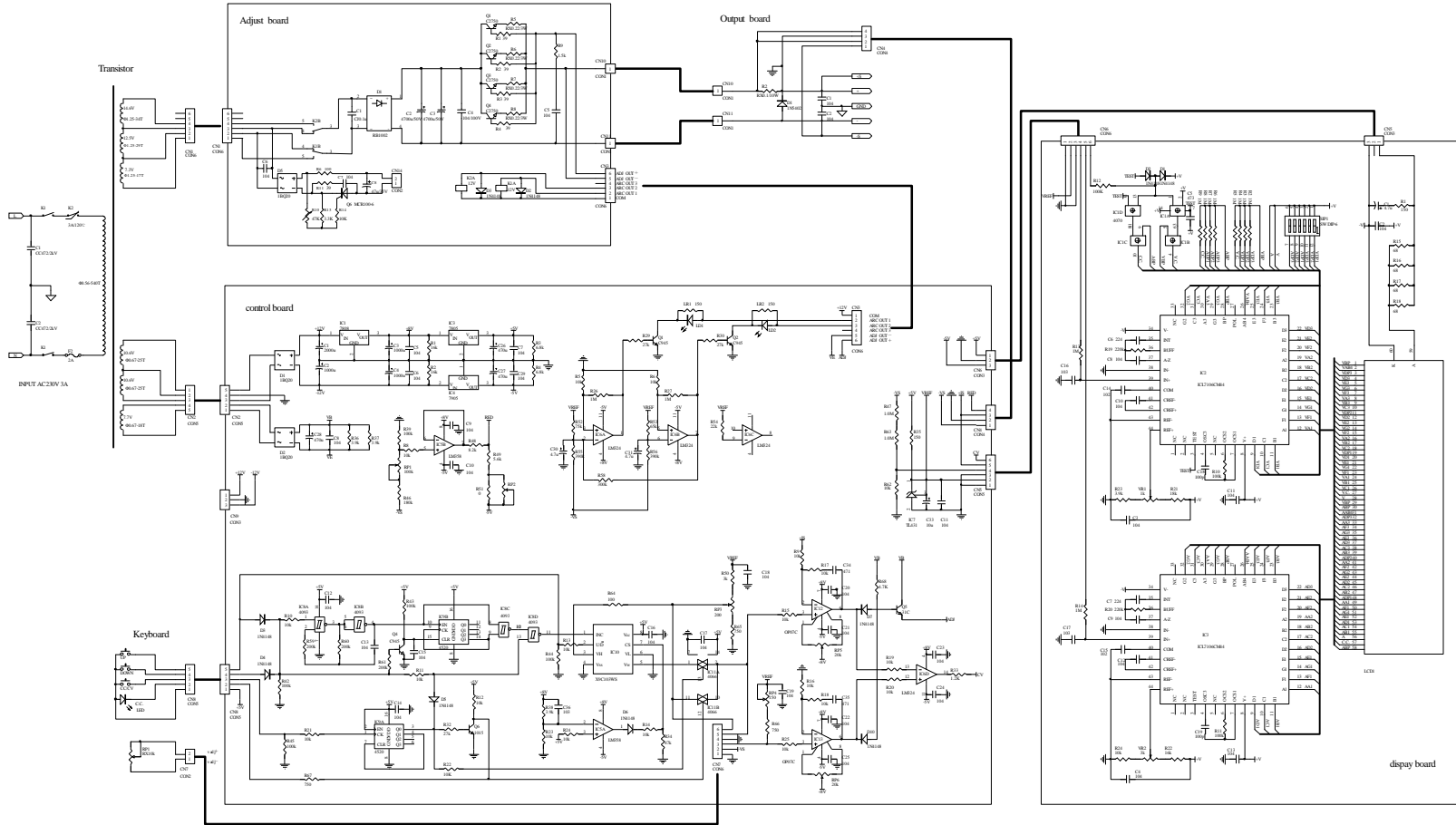


3005X



NO.	REV.	DATE	BY	CHK.