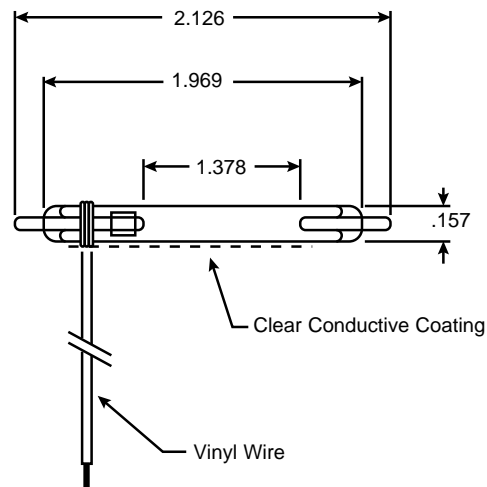


### Dimensions (In.)



### Specifications:

- Tube material: hard glass
- Wall thickness: .9mm
- Type of gas: xenon
- Internal gas pressure: 150mm Hg
- Anode to cathode voltage (V): 220 min. 360 nom. 400 max.
- Max. energy per flash: 60 ws
- Flashes with max. energy input: max. flash rate 6/minute  
Nominal life: 5000 flashes
- Trigger: 4KV min. voltage .6mws min. input
- Applications: photographic

Your source for quality electronics. Toll-free full service  
**(800) 346-6873**