



ADLINK
TECHNOLOGY INC.

ECS-8582-4S
ExpressCard-to-PCI Extension System
User's Manual

Manual Revision: 2.02

Revision Date: April 08, 2008

Part No: 50-1U001-1000



Recycled Paper

Advance Technologies; Automate the World.

Revision History

Revision	Release Date	Description of Change(s)
2.02	2008/04/08	Document Created Initial Release

Preface

Copyright 2008 ADLINK TECHNOLOGY INC.

This document contains proprietary information protected by copyright. All rights are reserved. No part of this manual may be reproduced by any mechanical, electronic, or other means in any form without prior written permission of the manufacturer.

Disclaimer

The information in this document is subject to change without prior notice in order to improve reliability, design, and function and does not represent a commitment on the part of the manufacturer. In no event will the manufacturer be liable for direct, indirect, special, incidental, or consequential damages arising out of the use or inability to use the product or documentation, even if advised of the possibility of such damages.

Environmental Responsibility

ADLINK is committed to fulfill its social responsibility to global environmental preservation through compliance with the European Union's Restriction of Hazardous Substances (RoHS) directive and Waste Electrical and Electronic Equipment (WEEE) directive. Environmental protection is a top priority for ADLINK. We have enforced measures to ensure that our products, manufacturing processes, components, and raw materials have as little impact on the environment as possible. When products are at their end of life, our customers are encouraged to dispose of them in accordance with the product disposal and/or recovery programs prescribed by their nation or company.

Trademarks

Personal Computer Memory Card International Association (PCMCIA), ExpressCard™ and the Rabbit symbol are trademarks of PCMCIA. PCI™, PCI Express®, PCle®, and PCI-X® are registered trademarks of the Peripheral Component Interconnect Special Interest Group (PCI-SIG).

Product names mentioned herein are used for identification purposes only and may be trademarks and/or registered trademarks of their respective companies.

Using this Manual

Audience and Scope

The ECS-8582-4S User's Manual is intended for hardware technicians and systems operators with knowledge of installing, configuring and using ExpressCard-to-PCI extension systems. This document is specifically intended to describe connecting ADLINK ECS-8582-4S ExpressCard-to-PCI-Extension Systems to a host laptop computer for extended functionality.

Manual Organization

This manual is organized as follows:

Preface: Presents important copyright notifications, disclaimers, trademarks, and associated information on the proper understanding and usage of this document and its associated product(s).

Chapter 1, Introduction: Introduces the ECS-8582-4S ExpressCard-to-PCI Extension System overview, its features, applications, and package contents.

Chapter 2, Getting Started: Presents information on properly installing ECS-8582-4S equipment and cabling an ExpressCard to PCI extension system.

Chapter 3, Hardware Information: Presents layout information, technical drawings, jumper settings and configuration.

Chapter 4, Troubleshooting: Provides basic information on quickly addressing configuration/setup/installation problems that may occur.

Important Safety Instructions: Presents safety instructions all users must follow for the proper setup, installation and usage of equipment and/or software.

Warranty Information: Presents important warranty information for users/manufacturers rights and responsibilities regarding ADLINK products and services.

Conventions

Take note of the following conventions used throughout this manual to make sure that users perform certain tasks and instructions properly.



NOTE:

Additional information, aids, and tips that help users perform tasks.



CAUTION:

Information to prevent **minor** physical injury, component damage, data loss, and/or program corruption when trying to complete a task.



WARNING:

Information to prevent **serious** physical injury, component damage, data loss, and/or program corruption when trying to complete a specific task.

Reference Documentation

The following list of documents may be used as reference materials to support installation, configuration and/or the operation of the ECS-8582-4S. This list is prepared in alphabetical order (by vendor name, then by document title) for clarity.

Vendor(s)	Title	Rev.
PCI-SIG	PCI Express Base Specification	1.0a
PCI-SIG	PCI-to-PCI Bridge Architecture Specification	1.2
PCI-SIG	PCI Local Bus Specification	3.0
PCMCIA	ExpressCard Standard Release	1.2

Getting Service

Contact us should you require any service or assistance.

ADLINK TECHNOLOGY INC. (HEADQUARTERS)

Web Site: <http://www.adlinktech.com>
Sales & Service: service@adlinktech.com
Telephone No.: +886-2-8226-5877
Fax No.: +886-2-8226-5717
Mailing Address: 9F No. 166 Jian Yi Road, Chungho City,
Taipei 235, Taiwan, ROC

ADLINK TECHNOLOGY AMERICA INC.

Sales & Service: info@adlinktech.com
Toll-Free: +1-866-4 ADLINK
Fax No.: +1-949-727-2099
Mailing Address: 8900 Research Drive, Irvine,
CA 92618, USA

ADLINK TECHNOLOGY CO. LTD. (BEIJING)

Sales & Service: market@adlinktech.com
Telephone No.: +86-10-5885-8666
Fax No.: +86-10-5885-8625
Mailing Address: Rm. 801, Power Creative E, No. 1, B/D
Shang Di East Rd.
Beijing, 100085 China

ADLINK TECHNOLOGY CO. LTD. (SHANGHAI)

Sales & Service: market@adlinktech.com
Telephone No.: +86-21-6495-5210
Fax No.: +86-21-5450-0414
Mailing Address: 4F, Bldg. 39, No.333 Qinjiang Road,
Cao He Jing High-Tech Park
Shanghai, 200233 China

ADLINK TECHNOLOGY CO. LTD. (SHENZHEN)

Sales & Service: market@adlinktech.com
Telephone No.: +86-755-2643-4858
Fax No.: +86-755-2664-6353
Mailing Address: 2F, C Block, Bld. A1,
Cyber-Tech Zone, Gao Xin Ave. Sec 7,
High-Tech Industrial Park S.,
Shenzhen, 518054 China

ADLINK TECHNOLOGY INC. (EUROPEAN Liaison Office)

Sales & Service: emea@adlinktech.com
Telephone No.: +49-211-495-5552
Fax No.: +49-211-495-5557
Mailing Address: Nord Carree 3, 40477
 Düsseldorf, Germany

ADLINK TECHNOLOGY JAPAN CORP.

Sales & Service: japan@adlinktech.com
Telephone No.: +81-3-4455-3722
Fax No.: +81-3-5333-6040
Mailing Address: Asahiseimei Hatagaya Bld. 8Fl. 1-1-2
 Hatagaya Shibuya-ku, Tokyo, Japan

ADLINK TECHNOLOGY INC. (SOUTH KOREA Liaison Office)

Sales & Service: korea@adlinktech.com
Telephone No.: +82-2-2057-0565
Fax No.: +82-2-2057-0563
Mailing Address: #402, Dongsung B/D, 60-12,
 Nonhyeon-dong Gangnam-gu,
 Seoul, 135-010, South Korea

ADLINK TECHNOLOGY SINGAPORE PTE. LTD.

Sales & Service: singapore@adlinktech.com
Telephone No.: +65-6844-2261
Fax No.: +65-6844-2263
Mailing Address: 84 Genting Lane #07-02A,
 Cityneon Design Center,
 Singapore 349584

ADLINK TECHNOLOGY SINGAPORE PTE. LTD. (INDIA Liaison Office)

Sales & Service: india@adlinktech.com
Telephone No.: +91-80-6560-5817
Fax No.: +91-80-2244-3548
Mailing Address: No. 1357, Ground Floor, "Anupama",
 Aurobindo Marg JP Nagar (Ph-1)
 Bangalore, Karnataka 560078, India

Table of Contents

ECS-8582-4S	i
Revision History	ii
Preface	iii
Copyright 2008 ADLINK TECHNOLOGY INC.	iii
Disclaimer	iii
Environmental Responsibility	iii
Trademarks	iii
Using this Manual	iv
Conventions	v
Reference Documentation	vi
Getting Service	vii
Table of Contents	ix
List of Figures	xi
List of Tables	xiii
1 Introduction	1
1.1 Overview.....	1
1.1.1 Controlling PCI with ExpressCard	1
1.2 Package Contents	2
1.3 Specifications.....	3
1.4 Features.....	4
1.5 Application	4
2 Getting Started	5
2.1 Installation Environment	5
2.2 Installing EC-8560 on a Laptop Computer.....	6
Installing Sustaining Rack	7

2.3	Installing PCI Peripheral Cards to an Extension Chassis	9
2.4	Cabling Laptop to Extension Chassis	11
2.5	Power-ON/OFF Sequence.....	12
2.6	LED Status.....	13
3	Hardware Information.....	15
3.1	Functional Block Diagram	15
3.2	EC-8560.....	16
3.3	PCI-8565 Layout, Connectors and Jumpers.....	17
3.4	RK-8005 4-Slot Extension Chassis.....	19
3.4.1	RK-8005 Chassis Mechanical Drawing.....	19
3.5	BP-8005 Layout, Connectors and Jumpers	21
3.6	Extension Cable Options	25
4	Troubleshooting (FAQ).....	27
	Important Safety Instructions.....	31
	Warranty Policy	33

List of Figures

Figure 2-1: EC-8560 to Laptop Installation Diagram.....	6
Figure 2-2: EC-8560 Sustaining Rack.....	7
Figure 2-3: PCI to Extension Chassis Installation Diagram	10
Figure 2-4: Cabling 3 M Extension Cable to Laptop Computer.....	11
Figure 3-1: PCI Express Extension System Functional Block Diagram.....	15
Figure 3-2: EC-8560 Product Image	16
Figure 3-3: PCI-8565 Mechanical Layout.....	17
Figure 3-4: RK-8005 Chassis Front and Back View.....	19
Figure 3-5: RK-8005 Chassis Top View.....	20
Figure 3-6: RK-8005 Side View.....	20
Figure 3-7: BP-8005 Backplane Layout	21
Figure 3-8: Standard 3 M extension cable (ALC-PCEEXT-3).....	25

This page intentionally left blank.

List of Tables

Table 3-1: PCI-8565 Connectors, Jumpers and LED	17
Table 3-2: PCI-8565 JP1 Remote Power-ON/Off Connector.....	18
Table 3-3: PCI-8565 JP2 Spread Spectrum Clock Control.....	18
Table 3-4: BP-8005 Connectors, Jumpers and LED.....	22
Table 3-5: BP-8005 CN1 LED Connector	22
Table 3-6: BP-8005 CN2 ATX Power Connector.....	23
Table 3-7: BP-8005 CN3 Fan Connector.....	23
Table 3-8: BP-8005 CN4 ATX Power OK Status Connector	23
Table 3-9: BP-8005 JP1 LED Connector	24
Table 3-10: BP-8005 JP2 ATX Power Enable Connector.....	24
Table 3-11: BP-8005 JP3 Fan Connector.....	24
Table 3-12: Optional Extension Cables	25

This page intentionally left blank.

1 Introduction

This chapter introduces the ECS-8582-4S ExpressCard-to-PCI Extension System, presents a general overview and basic applications, its package contents, specifications, and features.

1.1 Overview

Harnessing the bandwidth potential of the PCI Express, the ECS-8582-4S smart extension systems enable laptop computers with a ExpressCard/34 slot to remotely manage and control 4 PCI devices seven meters away, using the high-speed PCI Express interface. The extension system operate in 32-bit/33 MHz configuration and come with complete end-to-end hardware and software transparency for the host system. Hardware devices installed in the extension system behave and work as if these are directly installed into the host system, requiring no additional drivers or software installation.

The host system may be separated from the extension system at up to seven meters using high-quality shielded twisted copper cables. The robust and reliable ExpressCard-to-PCI extension system is suited for portable test and measurement applications with high-density I/O requirement and in hazardous industrial control and automation environments.

1.1.1 Controlling PCI with ExpressCard

Based on the PCI Express technology, ECS-8582-4S provides bus expansion capability through the high-speed differential signal interface. The ECS-8582-4S uses a signal equalizer and a PCI Express-to-PCI bridge to architecture a PCI Express to PCI extension system. With our ECS-8582-4S, user can use an available ExpressCard slot to control an external PCI chassis. Because the PCI Express Bridge is a transparent bridge, there is no need to install any additional software when using PCI devices in the external chassis.

The ECS-8582-4S implements a ExpressCard-based control of PCI modules. The technology consists of a EC-8560 card installed in the laptop computer, a shielded cable, and the extension system. The EC-8560 comes in a ExpressCard/34 footprint and communicates with the extension system's low-profile PCI-8565 via a twisted and shielded cable. The PCI-8565 converts the PCI Express interface into a PCI bridge for additional PCI slots in the extension system.

The link between host PC and the external chassis is a PCI Express X1 link that represents a dual-simplex communications channel consisting of two, low-voltage differentially driven signal pairs. The signaling rate can reach up to 2.5 Gbps in each direction. Using the shielded and twisted cable, the maximum extension distance can be up to 7m without decreasing the signal rate.

1.2 Package Contents

ECS-8582-4S

- ▶ EC-8560, packaged separately. An ExpressCard sustaining rack and a manual are also included in this package.
- ▶ RK-8005 wall-mount chassis, pre-installed with:
 - ▷ PCI-8565 card
 - ▷ 5-slot backplane
 - ▷ 200 W AC power supply
- ▶ 3m extension cable
- ▶ AC power Cord
- ▶ Wall-mount kit for chassis
- ▶ User's manual

1.3 Specifications

EC-8560 (on host laptop computer)

- ▶ Compliant with ExpressCard Standard Release 1.2
- ▶ Compliant with PCI Express Base Specification Rev. 1.0a
- ▶ PCI Express X1 link with 250 MB/s data throughput
- ▶ Extended distance of up to seven meters
- ▶ Dimension: ExpressCard/34 (108 mm (W) X 34 mm (H))
- ▶ Power requirements: +3.3V, 210 mA (max)

PCI-8565 (on extension system)

- ▶ Compliant with PCI-to-PCI Bridge Architecture Specifications Rev. 1.2
- ▶ Compliant with PCI Local Bus Specifications Rev. 3.0
- ▶ Supports 5V and 3.3V PCI bus
- ▶ Supports 32-bit/33MHz full data throughput
- ▶ Extended distance of up to 7 meters
- ▶ Dimensions: Low-profile PCI add-on card (64mm (H) X 120mm (W))
- ▶ Power requirements: +3.3V, 720mA

RK-8005 (extension chassis)

- ▶ Dimension: 122mm (W) X 195 mm (H) X 259 mm (D)
- ▶ Weight: 3.2 kg (7.04 lb)
- ▶ Backplane: 5 X 32-bit/33 MHz full-size PCI slots
 - ▷ One slot for extension card
 - ▷ Four slots available for PCI cards
- ▶ Power supply
 - ▷ Input voltage: 85 VAC to 265 VAC
 - ▷ Output: 200 W
- ▶ Cooling: One 80 mm ball bearing fan

Operating & Storage Environments

- ▶ Operating temperature: 0°C to 50°C
- ▶ Storage temperature: -20°C to 80°C
- ▶ Relative humidity: 10% to 90%, non-condensing

1.4 Features

- ▶ ExpressCard control of PCI cards
- ▶ High-speed PCI Express X1 interface
- ▶ Compatible with 5V and 3.3V PCI bus
- ▶ Supports 32-bit/33 MHz PCI interface
- ▶ Provides four extended half-size PCI slots with built-in 200 W power supply in a shoebox size chassis (PCES-8581-4S)
- ▶ Extension lengths of 1m, 3m and 7m
- ▶ Complete hardware and software transparency
- ▶ Compliant with PCI Express Base Specification, Revision 1.0a
- ▶ Compliant with PCI-to-PCI Bridge Architecture Specification, Revision 1.2
- ▶ Compliant with PCI Local Bus Specification, Revision 3.0
- ▶ Compliant with ExpressCard Standard Release 1.2

1.5 Application

- ▶ Electronics manufacturing testing
- ▶ High-density I/O systems
- ▶ Industrial automation and control
- ▶ Military and aerospace
- ▶ Testing systems for remote and/or harsh environments

2 Getting Started

This chapter describes the installation environment, installation procedures, cabling the equipment, and instructions on powering-on/off the ECS-8582-4S ExpressCard to PCI Extension Systems.



NOTE:

Diagrams and images of equipment mentioned are used for reference only. Actual system appearance may vary.

2.1 Installation Environment

Whenever unpacking and preparing to install any equipment described in this manual, please refer to the ***Important Safety Instructions*** chapter of this manual.

Only install equipment in well lit areas on flat, sturdy surfaces with access to basic tools such as flat and cross head screwdrivers.

The ECS-8582-4S contains several electro-static sensitive components that can be easily damaged by static electricity. For this reason, the card and chassis should be handled on a grounded anti-static mat and the operator should wear an anti-static wristband during the unpacking and installation procedure.

Please also inspect the components for apparent damage. Improper shipping and handling may cause damage to the components. Be sure there is no shipping and handling damage on the components before continuing.



CAUTION:

Do not apply power to any equipment if it has been damaged.

2.2 Installing EC-8560 on a Laptop Computer

1. Power-off your laptop computer and locate its Express-Card slot.
2. Locate your 3M extension cable (ACL-EXPRESS-3). Screw the ACL-EXPRESS-3 cable to the EC-8560.
3. Insert the EC-8560 into an available ExpressCard slot in your laptop computer. Be sure to firmly attach the EC-8560 to the ExpressCard slot.

Figure 2-1: EC-8560 to Laptop Installation Diagram



NOTE:

The EC-8560 is equipped with a sustaining rack. Please check if your laptop computer is equipped with an ExpressCard/34 or ExpressCard/54 for sustaining rack support.

Installing Sustaining Rack

If your laptop computer is equipped with a ExpressCard/54, you will need a sustaining rack to adequately attach the EC-8560. The sustaining rack adds secure connectivity. Refer to the following steps to install the sustaining rack onto the EC-8560.

Figure 2-2: EC-8560 Sustaining Rack



1. The EC-8560 sustaining rack has a metallic arm that is placed behind the ExpressCard and locked into place with the short hook/clip at the edge of the metallic arm.



2. Secure the sustaining rack and insert the assembled EC-8560 and sustaining rack into your ExpressCard/54 normally.



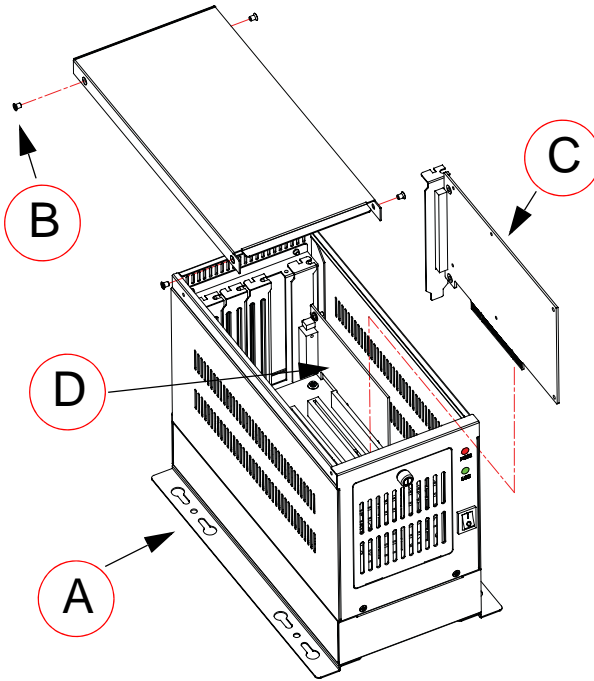
2.3 Installing PCI Peripheral Cards to an Extension Chassis



The following instructions are for illustration purposes when attempting to install additional PCI devices to your extension chassis. RK-8005 extension chassis are pre-installed with one PCI-8565 extension card.

1. Locate your extension chassis, RK-8005 and plug-in the AC power cord but **DO NOT** power-on the equipment.
2. Unscrew the four housing screws of the extension chassis using a (cross-head or flat-head) screwdriver. Open the top cover of the chassis. You should see a row of four PCI slots along the backplane.
3. Locate your PCI device and remove it from its packaging. (Please wear anti-static gloves and use an anti-static surface when handling the card).
4. Install your PCI device in an available PCI slot and be sure to firmly attach it's bracket to the backplane of the extension chassis.
5. Close the extension chassis and re-install its housing screws.

Figure 2-3: PCI to Extension Chassis Installation Diagram



Item	Description
A	Extension chassis, RK-8005
B	Extension chassis housing screws
C	Additional PCI card/device
D	Pre-installed PCI-8565

2.4 Cabling Laptop to Extension Chassis

Now that you have successfully installed the ECS-8582-4S into the laptop computer (or installed an additional PCI device in the extension chassis), you may connect the laptop computer and Extension Chassis with an extension cable.



CAUTION:

Do not remove the extension cable after the system is powered on. It may cause system errors or data loss. If the cable is unplugged improperly, reconnect it and reboot the host PC and extension chassis

1. Locate your 3 M extension cable. One end should already be connected to the EC-8560.
2. Connect the other end of the 3 M extension cable to the PCI Express serial link connector (PCI-8565) of your extension chassis (RK-8005).
3. Firmly attach the 3 M extension cable by tightening its retention screws.

Figure 2-4: Cabling 3 M Extension Cable to Laptop Computer



2.5 Power-ON/OFF Sequence

To power-on the ExpressCard extension system, follow these steps:

1. Check that the 3 M extension cable is properly connected to the host PC and extension chassis.
2. Power-on the extension chassis first.
3. Power-on the host laptop computer.



Do not remove the extension cable after the system is powered on. It may cause system error or data loss. If the cable is unplugged improperly, reconnect it and reboot the host laptop and extension chassis.

As the ExpressCard-to-PCI extension system is a standard PCIe-to-PCI bridge interface, the BIOS will identify each device behind the PCI bridge and assign resource to each one during start up. Thus users have to power-on the remote chassis first in order to get appropriate resources from the BIOS.

To power-off the PCI Express extension system, follow these steps:

1. Power-off the host PC.
2. Power-off the extension chassis.



DO NOT power-off the extension chassis until the host laptop is powered off. If the extension chassis is powered off while the host laptop is on, the host laptop computer may hang or crash.

2.6 LED Status

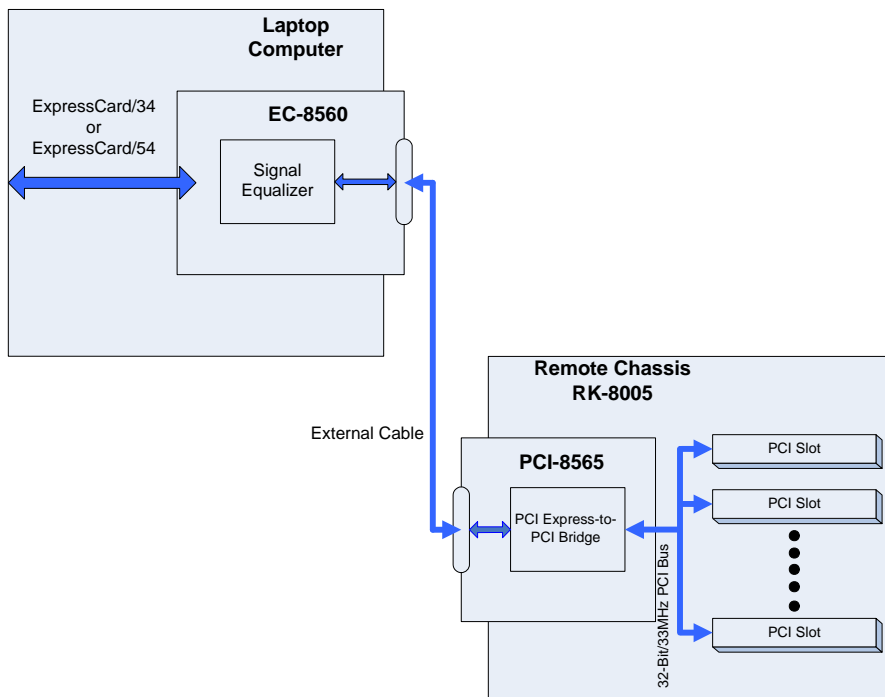
The LEDs on the EC-8560 and PCI-8565 give power status information. The LEDs light up only when the following conditions are met:

- ▶ The extension cable between the EC-8560 (Host laptop computer) and PCI-8565 (Extension Chassis) is properly connected.
- ▶ The extension chassis is powered on.
- ▶ The host PC is entering its Power-On Self Test (POST).

3 Hardware Information

3.1 Functional Block Diagram

Figure 3-1: PCI Express Extension System Functional Block Diagram



3.2 EC-8560

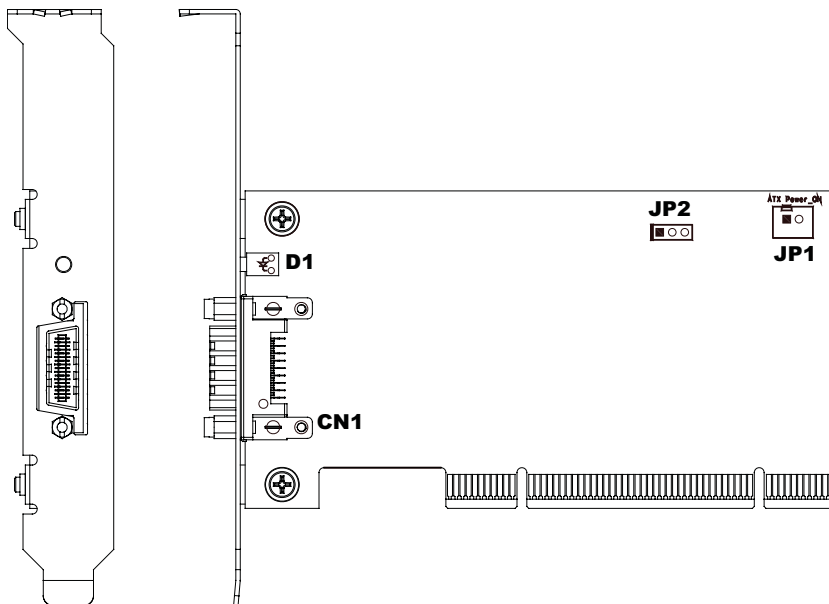
The EC-8560 is an ExpressCard/34 form factor module that re-drives PCI Express signals to an extension chassis via the ACL-EXPRESS cable. Users can plug EC-8560 into an ExpressCard/34 or ExpressCard/54 slot equipped laptop computers.

Figure 3-2: EC-8560 Product Image



3.3 PCI-8565 Layout, Connectors and Jumpers

Figure 3-3: PCI-8565 Mechanical Layout



Connector/Jumper/LED	Description
JP1	ATX power enabling connector. This connector is used for remote power-on control.
JP2	Spread spectrum clock control
CN1	PCI Express serial link connector
D1	Serial Link Status LED

Table 3-1: PCI-8565 Connectors, Jumpers and LED


	Pin #	Assignment
 <p>JP1</p>	1	PWR-ON. This pin is used for remote power-on/off functionality. Connect this to JP2 on the BP-8014 to enable it.
	2	N/C

Table 3-2: PCI-8565 JP1 Remote Power-ON/Off Connector

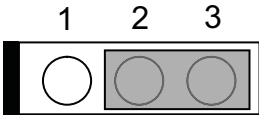
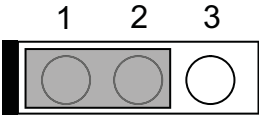
Setting	Description
	Enables spread spectrum control. When enabling spread spectrum control, the PCI clock will be modulated with a low frequency carrier, the peak EMI can be greatly reduced in the system.
	Disables spread spectrum control.

Table 3-3: PCI-8565 JP2 Spread Spectrum Clock Control

3.4 RK-8005 4-Slot Extension Chassis

RK-8005 is a robust industrial chassis for accommodating the BP-8005 backplane. The RK-8005 is a small, compact chassis (122mm X 195mm X 260mm) with a built-in 200W universal AC power supply. The RK-8005 is provided with a wall-mount kit so you can place it in many different environments.



NOTE:

Only half-size PCI cards are suitable for the RK-8005.

3.4.1 RK-8005 Chassis Mechanical Drawing

Figure 3-4: RK-8005 Chassis Front and Back View

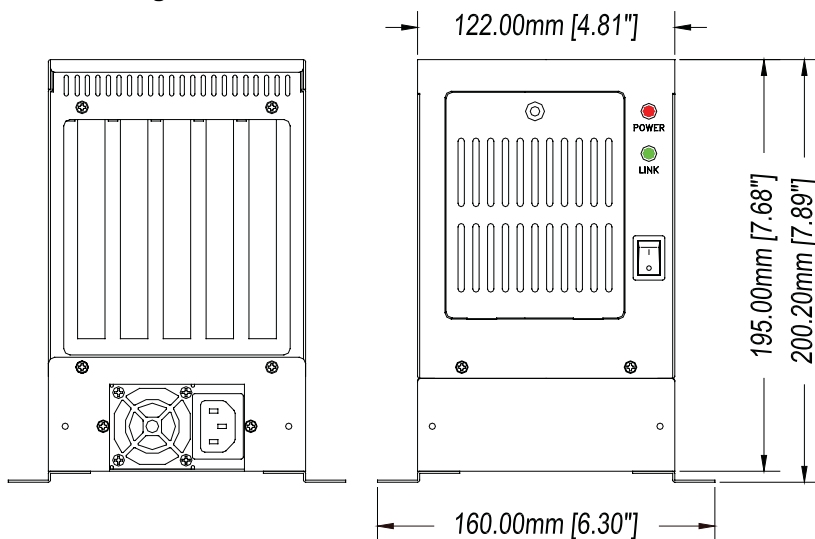


Figure 3-5: RK-8005 Chassis Top View

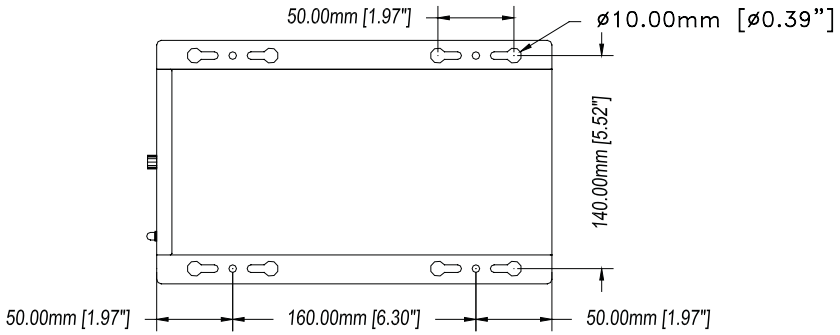
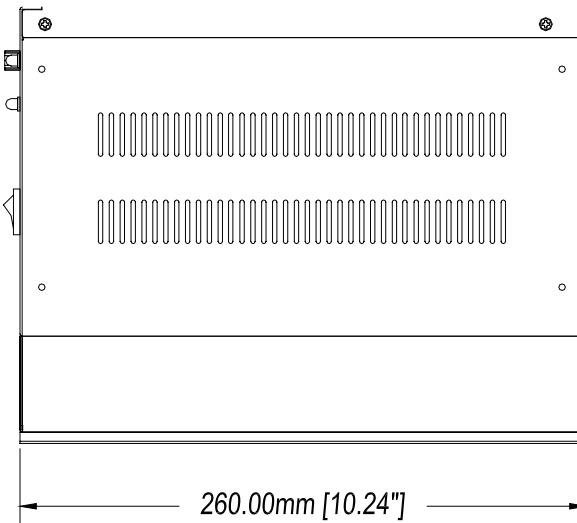


Figure 3-6: RK-8005 Side View



3.5 BP-8005 Layout, Connectors and Jumpers

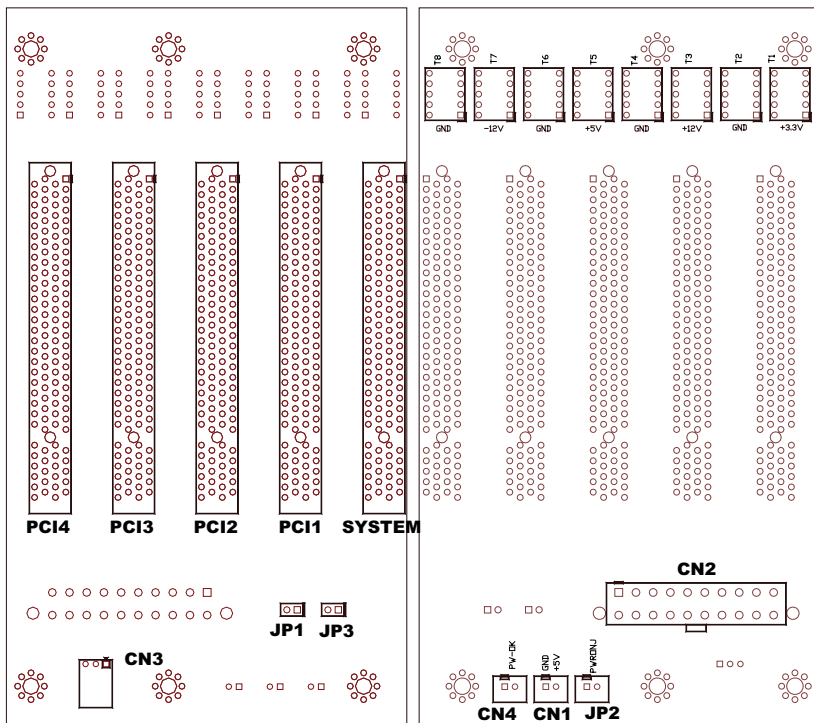
The BP-8005 backplane provides 1 system slot and 4 available PCI peripheral slots. These PCI slots are for 32-bit and 33 MHz PCI devices.



NOTE:

The system slot is occupied by a pre-installed PCI-8565, please **DO NOT** install a CPU controller in this slot.

Figure 3-7: BP-8005 Backplane Layout



Connector/Jumper/LED	Description
CN1	LED connector
CN2	ATX power connector
CN3	Fan connector
CN4	ATX power OK status connector
JP1	LED connector
JP2	ATX power enabler
JP3	Fan connector
System	System slot for extension card. This slot is modified for bus extension purposes and does not support general signal board controllers.
PCI1 to PCI4	Peripheral PCI Slot

Table 3-4: BP-8005 Connectors, Jumpers and LED



NOTE:

DO NOT plug CPU cards in the system slot.

	Pin #	Assignment
<p>CN1</p>	1	Ground
	2	+5 V Output

Table 3-5: BP-8005 CN1 LED Connector

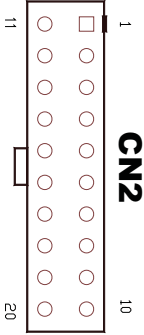
	Pin #	Assignment	Pin #	Assignment
 <p>CN2</p>	1	+3.3 V	11	+3.3 V
	2	+3.3 V	12	-12 V
	3	Ground	13	Ground
	4	+5 V	14	PS-ON
	5	Ground	15	Ground
	6	+5 V	16	Ground
	7	Ground	17	Ground
	8	PW-OK	18	-5 V
	9	5 VSB	19	+5 V
	10	+12 V	20	+5 V

Table 3-6: BP-8005 CN2 ATX Power Connector

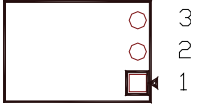
	Pin #	Assignment
 <p>CN3</p>	1	N/C
	2	+12 V
	3	Ground

Table 3-7: BP-8005 CN3 Fan Connector

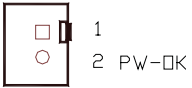
	Pin #	Assignment
 <p>CN4</p>	1	Ground
	2	PW-OK. ATX Power Status

Table 3-8: BP-8005 CN4 ATX Power OK Status Connector

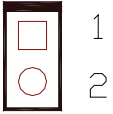
	Pin #	Assignment
 <p>JP1</p>	1	Ground
	2	LED Power, +5 V

Table 3-9: BP-8005 JP1 LED Connector

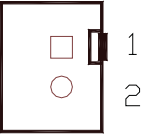
	Pin #	Assignment
 <p>JP2</p>	1	Ground
	2	PWR-ON, ATX Power Enable

Table 3-10: BP-8005 JP2 ATX Power Enable Connector

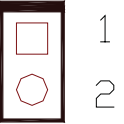
	Pin #	Assignment
 <p>JP3</p>	1	Ground
	2	+12 V

Table 3-11: BP-8005 JP3 Fan Connector

3.6 Extension Cable Options

The PCI Express[®]-to-PCI extension system (PCES-8581-13S and PCES-8581-4S) is available with three different cables in length. These cables are designed to transfer high speed signals and have high immunity from electromagnetic interference.



Figure 3-8: Standard 3 M extension cable (ALC-PCEEXT-3)

Part Number	Description
ACL-EXPRESS-1	1 M, PCI Express-to-PCI extension cable
ACL-EXPRESS-3	3 M, PCI Express-to-PCI extension cable
ACL-EXPRESS-7	7 M, PCI Express-to-PCI extension cable

Table 3-12: Optional Extension Cables

This page intentionally left blank.

4 Troubleshooting (FAQ)

This chapter describes frequently asked questions that may guide the user to solve minor problems they may encounter.

This Troubleshooting (FAQ) applies to:

- ▶ ExpressCard-to-PCI Extension System: including ECS-8582-4S.
- ▶ ExpressCard-to-PXI Extension Kit: including EC-8560 and PXI-8565.

In the following description, the products will be renamed as "PCI Express Bus Extension Products".

Question: What is the maximum extension length of PCI Express Bus Extension Products?

Answer: The maximum extension length is 7m. ADLINK offers three different cables in length for customer's applications, 1 M, 3 M and 7 M.

Question: When using ADLINK PCI Express Bus Extension Products, is there any additional driver or software required to install?

Answer: ADLINK PCI Express Bus Extension Products are designed to be standard PCI Express-to-PCI bridges. It is not necessary to install additional drivers or software for support.

Question: How many extension chassis can I connect to a host PC by using ADLINK PCI Express Bus Extension Products?

Answer: Due to the point-to-point architecture of PCI Express, only one ADLINK PCI Express Bus Extension Product can be supported by one chassis. However, users can select multiple extension chassis for different purposes. For example, a 4-slot extension chassis provides small and compact

form factor while an 18-slot extension chassis provides more PCI slots. Theoretically, PCI specification allows up to 255 PCI bus segments. ADLINK PCI Express Bus Extension Products do not limit the bus segment number. The maximum PCI bus segments may be limited by your BIOS or operating system.

Question: Is there any compatibility problems with the ADLINK PCI Express-to-PXI extension kit?

Answer: ADLINK PCI Express Bus Extension Products are designed as standard PCI Express-to-PCI Bridge. During PC boot up, your PC BIOS will search devices and assign resources such as, I/O, memory space and IRQ number, to each device according to its algorithm. Although PCI specification allows up to 255 bus segments in a PC system, the BIOS may not assign the correct and/or proper resource to each device in some complex PCI systems.

Because the PCI Express specification was released in 2002, most hardware and circuit board designers as of yet do not offer multiple PCI-to-PCI bridges. Most BIOS work for simple applications but may not work for multiple PCI bus segments and a variety of resource requests. We suggest customers choose PC equipment with Intel 945, 965 or later chipsets to adjust for these issues.

Question: When I encounter compatibility problems, what should I do?

Answer: Because most compatibility problems come from PCI resource assignments, customers should consult their PC vendors or BIOS vendors for help. Updating to the most current BIOS version may also resolve PCI resource problems.

The following list are some indications that may help customers to deal with compatibility issues:

1. Disable the onboard device functions of your host PC to release IO resources.
2. Remove PCI devices plugged/installed in your host PC.
3. Connect an extension chassis which is single bus segment to the host PC. Plug a PCI device to an extension chassis one by one and boot each in sequence to check if your host PC can accommodate the PCI device or not.
4. You may try to plug the PCI Express extension host card to a different PCI Express slot.

This page intentionally left blank.

Important Safety Instructions

For user safety, please read and follow all **instructions**, **WARNINGS**, **CAUTIONS**, and **NOTES** marked in this manual and on the associated equipment before handling/operating the equipment.

- ▶ Read these safety instructions carefully.
- ▶ Keep this user's manual for future reference.
- ▶ Read the specifications section of this manual for detailed information on the operating environment of this equipment.
- ▶ When installing/mounting or uninstalling/removing equipment:
 - ▷ Turn off power and unplug any power cords/cables.
- ▶ To avoid electrical shock and/or damage to equipment:
 - ▷ Keep equipment away from water or liquid sources;
 - ▷ Keep equipment away from high heat or high humidity;
 - ▷ Keep equipment properly ventilated (do not block or cover ventilation openings);
 - ▷ Make sure to use recommended voltage and power source settings;
 - ▷ Always install and operate equipment near an easily accessible electrical socket-outlet;
 - ▷ Secure the power cord (do not place any object on/over the power cord);
 - ▷ Only install/attach and operate equipment on stable surfaces and/or recommended mountings; and,
 - ▷ If the equipment will not be used for long periods of time, turn off and unplug the equipment from its power source.

- ▶ Never attempt to fix the equipment. Equipment should only be serviced by qualified personnel.
- ▶ A Lithium-type battery may be provided for uninterrupted, backup or emergency power.



RISK OF EXPLOSION IF BATTERY IS REPLACED BY AN INCORRECT TYPE. DISPOSE OF USED BATTERIES ACCORDING TO THEIR INSTRUCTIONS.

-
- ▶ Equipment must be serviced by authorized technicians when:
 - ▷ The power cord or plug is damaged;
 - ▷ Liquid has penetrated the equipment;
 - ▷ It has been exposed to high humidity/moisture;
 - ▷ It is not functioning or does not function according to the user's manual;
 - ▷ It has been dropped and/or damaged; and/or,
 - ▷ It has an obvious sign of breakage.

Warranty Policy

Thank you for choosing ADLINK. To understand your rights and enjoy all the after-sales services we offer, please read the following carefully.

1. Before using ADLINK's products please read the user manual and follow the instructions exactly. When sending in damaged products for repair, please attach an RMA application form which can be downloaded from: <http://rma.adlinktech.com/policy/>
2. All ADLINK products come with a limited two-year warranty, one year for products bought in China:
 - ▶ The warranty period starts on the day the product is shipped from ADLINK's factory.
 - ▶ Peripherals and third-party products not manufactured by ADLINK will be covered by the original manufacturers' warranty.
 - ▶ For products containing storage devices (hard drives, flash cards, etc.), please back up your data before sending them for repair. ADLINK is not responsible for any loss of data.
 - ▶ Please ensure the use of properly licensed software with our systems. ADLINK does not condone the use of pirated software and will not service systems using such software. ADLINK will not be held legally responsible for products shipped with unlicensed software installed by the user.
 - ▶ For general repairs, please do not include peripheral accessories. If peripherals need to be included, be certain to specify which items you sent on the RMA Request & Confirmation Form. ADLINK is not responsible for items not listed on the RMA Request & Confirmation Form.

3. Repair service is not covered by ADLINK's two-year guarantee in the following situations:
 - ▶ Damage caused by not following instructions in the User's Manual.
 - ▶ Damage caused by carelessness on the user's part during product transportation.
 - ▶ Damage caused by fire, earthquakes, floods, lightening, pollution, other acts of God, and/or incorrect usage of voltage transformers.
 - ▶ Damage caused by inappropriate storage environments such as high temperatures, high humidity, or volatile chemicals.
 - ▶ Damage caused by leakage of battery fluid during or after change of batteries by customer/user.
 - ▶ Damage from improper repair by unauthorized technicians.
 - ▶ Products with altered and/or damaged serial numbers are not entitled to our service.
 - ▶ This warranty is not transferable or extendable.
 - ▶ Other categories not protected under our warranty.

4. Customers are responsible for all fees necessary to transport damaged products to ADLINK.

5. To ensure the speed and quality of product repair, please download an RMA application form from our company website: <http://rma.adlinktech.com/policy/> Products with attached RMA forms receive priority.

For further questions, please e-mail our FAE staff:
service@adlinktech.com.