



**ADLINK**  
TECHNOLOGY INC.

**PCIS-8580-4S**  
**PCIS-8580-13S**  
User's Manual

**Manual Rev.** 2.01  
**Revision Date:** December 21, 2006  
**Part No:** 50-15054-1000



Recycled Paper

**Advance Technologies; Automate the World.**



Copyright 2006 ADLINK TECHNOLOGY INC.

All Rights Reserved.

The information in this document is subject to change without prior notice in order to improve reliability, design, and function and does not represent a commitment on the part of the manufacturer.

In no event will the manufacturer be liable for direct, indirect, special, incidental, or consequential damages arising out of the use or inability to use the product or documentation, even if advised of the possibility of such damages.

This document contains proprietary information protected by copyright. All rights are reserved. No part of this manual may be reproduced by any mechanical, electronic, or other means in any form without prior written permission of the manufacturer.

#### Trademarks

NuDAQ, NuIPC, DAQBench are registered trademarks of ADLINK TECHNOLOGY INC.

Product names mentioned herein are used for identification purposes only and may be trademarks and/or registered trademarks of their respective companies.

# Getting Service from ADLINK

Customer Satisfaction is top priority for ADLINK Technology Inc. Please contact us should you require any service or assistance.

## ADLINK TECHNOLOGY INC.

Web Site: <http://www.adlinktech.com>  
 Sales & Service: [Service@adlinktech.com](mailto:Service@adlinktech.com)  
 TEL: +886-2-82265877  
 FAX: +886-2-82265717  
 Address: 9F, No. 166, Jian Yi Road, Chungho City, Taipei, 235 Taiwan

Please email or FAX this completed service form for prompt and satisfactory service.

Company Information	
Company/Organization	
Contact Person	
E-mail Address	
Address	
Country	
TEL	FAX:
Web Site	
Product Information	
Product Model	
Environment	OS: M/B: CPU: Chipset: BIOS:

Please give a detailed description of the problem(s):



# Table of Contents

<b>Table of Contents</b> .....	<b>i</b>
<b>List of Tables</b> .....	<b>iii</b>
<b>List of Figures</b> .....	<b>iv</b>
<b>1 Introduction</b> .....	<b>1</b>
1.1 Features.....	2
PCIS-8580-4S .....	2
PCIS-8580-13S .....	2
1.2 Applications .....	2
1.3 Specifications.....	3
LPCI-8575 PCI-PCI Extension Card .....	3
RK-8005 Extension chassis .....	4
RK-8014 Extension chassis .....	5
ACL-PCIEXT-2 Cable .....	5
General .....	5
<b>2 Installation</b> .....	<b>7</b>
2.1 Content of package.....	7
2.2 Unpacking.....	8
2.3 Getting Start.....	8
Install PCI Extension Card into your Host System .....	8
Driver Installation .....	9
Install your PCI Card into the Extension Chassis .....	10
Connect to Extension Chassis .....	12
Power-on Sequence .....	12
<b>3 Hardware Overview</b> .....	<b>15</b>
3.1 System Architecture.....	15
Operation Theory .....	15
3.2 LPCI-8575 PCI Extension Card .....	16
Functional Block .....	16
Jumper Settings for LPCI-8575 .....	17
3.3 BP-8005.....	21
Backplane Architecture .....	21
Jumpers and Connectors .....	24
Jumpers and connectors on the bottom side .....	24

3.4	RK-8005.....	25
	Mechanical Drawing of RK-8005 .....	25
3.5	BP-8014 .....	26
	Backplane Architecture .....	26
	Jumpers and Connectors .....	27
	Remote Power-on Function .....	27
3.6	RK-8014.....	29
	Mechanical Drawing of RK-8014 .....	29
3.7	ACL-PCIEXT-2.....	30
	Pin Assignment of ACL-PCIEXT-2 .....	30
	<b>Warranty Policy .....</b>	<b>31</b>

## List of Tables

Table 1-1: Power requirements .....	3
Table 3-1: Jumpers and connectors on the LPCI-8575 .....	17
Table 3-2: JP1 Settings .....	18
Table 3-3: JP2 Settings .....	18
Table 3-4: JP3 Settings .....	19
Table 3-5: D2 Display .....	20
Table 3-6: Top side jumpers and connectors .....	24
Table 3-7: Bottom side jumpers and connectors .....	24
Table 3-8: BP-8014 jumpers and connectors .....	27
Table 3-9: Remote Power-on Function .....	27
Table 3-10: Pin Assignment of ACL-PCIEXT-2 .....	30

## List of Figures

Figure 2-1: Install the PCI extension card into your host system.	9
Figure 2-2: Installing the driver for PCI extension card .....	10
Figure 2-3: Install your PCI cards into the extension chassis (using the PCIS-8580-4S as an example).....	11
Figure 2-4: Connect you host computer and extension chassis (using the PCIS-8580-4S as an example).....	12
Figure 3-1: Operation theory of PCIS-8580 PCI-to-PCI extension system .....	15
Figure 3-2: Concept of the serialized PCI bridge .....	16
Figure 3-3: Jumpers and connectors on the LPCI-8575 .....	17
Figure 3-4: Top view of BP-8005 backplane .....	22
Figure 3-5: Bottom view of BP-8005 backplane.....	23
Figure 3-6: Mechanical drawing of RK-8005.....	25
Figure 3-7: Top view of BP-8014 backplane .....	26
Figure 3-8: Mechanical drawing of RK-8014.....	29
Figure 3-9: DVI Connector pins and dimensions .....	30



# 1 Introduction

The ADLINK PCIS-8580 is the PCI-to-PCI extension systems for extending your PCI buses of the host computers. With the state-of-art StarFabric high-speed serial link technology, you can extend your PCI bus of the host computer to an external chassis, which accommodates 4 (PCIS-8580-4S) or 13 (PCIS-8580-13S) additional PCI slots. This advanced technology provides full 32-bit/33MHz PCI bandwidth (132MB/s) and maximal 10m distance between host computer and extension chassis. In addition, ADLINK PCI-to-PCI extension system utilizes the concept of “serialized bridge” to provide complete hardware and software transparency to your host system. Any hardware installed in the extension chassis works as it’s inside the host system without any driver/software effort.

The ADLINK PCIS-8580 PCI-to-PCI extension system is composed of three major components: a PCI extension card (LPCI-8575), an extension chassis (RK-8005 for PCIS-8580-4S or RK-8014 for PCIS-8580-13S), and a cable (ACL-PCIEXT-2). The PCI extension card is the core of this system. It acts as a PCI bridge with the capability to serialize the PCI signals and maintain a 5Gbps serial link between the host system and the extension chassis. The extension chassis, which is a 4-slot wall-mount chassis (RK-8005) or a 13-slot rack-mount chassis (RK-8014), is the platform to accommodate PCI slots. It contains a backplane, a power supply, and a pre-installed PCI extension card. The cable, which consists of DVI-D connector and shielding twisted pairs, provides robust connectivity and satisfying signal quality between the host computer and the extension chassis.

## 1.1 Features

### PCIS-8580-4S

- ▶ PCI local bus specification Rev 2.2 compliant
- ▶ PCI bridge architecture specification Rev 1.2 compliant
- ▶ Provides 4 extended PCI slots
- ▶ Full 32-bit/33MHz PCI bandwidth extension (132MB/s)
- ▶ Maximal 10m extension distance
- ▶ Complete hardware and software transparency
- ▶ 24-pin DVI-D connector for robust connectivity
- ▶ Shoebox size wall-mount chassis with built-in 200W power supply

### PCIS-8580-13S

- ▶ PCI local bus specification Rev 2.2 compliant
- ▶ PCI bridge architecture specification Rev 1.2 compliant
- ▶ Provides 13 extended PCI slots
- ▶ Full 32-bit/33MHz PCI bandwidth extension (132MB/s)
- ▶ Maximum 10m extension distance
- ▶ Complete hardware and software transparency
- ▶ 24-pin DVI-D connector for robust connectivity
- ▶ 19" rack-mount chassis with built-in 400W power supply

## 1.2 Applications

- ▶ Industrial automation/control
- ▶ Electronics manufacturing test
- ▶ Military/aerospace
- ▶ Video capture
- ▶ Remote test and measurement

## 1.3 Specifications

### LPCI-8575 PCI-PCI Extension Card

- ▶ PCI local bus specification Rev 2.2 compliant
- ▶ PCI bridge architecture specification Rev 1.2 compliant
- ▶ Supports both 5V and 3.3V PCI bus
- ▶ Data throughput: full 32-bit/33MHz PCI bandwidth (132MB/s)
- ▶ I/O connector: DVI-D 24-pin connector
- ▶ Link indicator (Green LED)
  - ▷ Off: Extension or host computer does not power on
  - ▷ On: Link status is good
  - ▷ Blink: Link status is failed. Check your cable or power-on sequence.
- ▶ Maximum extended distance: 10m
- ▶ Power requirements

+5V	+3.3V
190mA	250mA

**Table 1-1: Power requirements**

## **RK-8005 Extension chassis**

- ▶ Dimensions: 122mm(W) x 195mm(H) x 260mm(D)
- ▶ Weight: 2.3kg
- ▶ Backplane: 5x 32-bit/33MHz PCI slots
  - ▷ 1 slot for extension card
  - ▷ 4 slots available for PCI cards
- ▶ Front-panel indicators
  - ▷ Power indicator (Red LED)
  - ▷ Link indicator (Green LED)
    - Off: Extension or host computer does not power on
    - On: Link status is good
    - Blink: Link status is failed. Check your cable or power-on sequence.
- ▶ Power supply
  - ▷ Input voltage: 85VAC to 265VAC, auto-switching
  - ▷ Output: 200W
- ▶ Cooling: One 42 CFM ball bearing fan (80mm)

## **RK-8014 Extension chassis**

- ▶ Dimensions: 438.5mm(W) x 177mm(H) x 448.5mm(D)
- ▶ Weight: 2.3kg
- ▶ Backplane: 14x 32-bit/33MHz PCI slots
  - ▷ 1 slot for extension card
  - ▷ 13 slots available for PCI cards
- ▶ Front-panel indicators
  - ▷ Power indicator (Red LED)
  - ▷ Link indicator (Green LED)
    - Off: Extension or host computer does not power on
    - On: Link status is good
    - Blink: Link status is failed. Check your cable or power-on sequence.
- ▶ Power supply
  - ▷ Input voltage: 85VAC to 265VAC, auto-switching
  - ▷ Output: 400W
- ▶ Cooling: Two 42 CFM ball bearing fan (120mm)

## **ACL-PCIEXT-2 Cable**

- ▶ Length: 2m
- ▶ Construction: 8 pairs of shielding twisted copper wires
- ▶ Connector: DVI-D 24-pin
- ▶ Other cable options
  - ▷ ACL-PCIEXT-5: 5m
  - ▷ ACL-PCIEXT-10: 10m

## **General**

- ▶ Operating temperature: 0°C to 50°C
- ▶ Storage temperature : -20°C to 80°C
- ▶ Relative humidity: 10 to 90%, non-condensing



## 2 Installation

This chapter outlines the contents of package, describes unpacking information, and describes how to set up the PCIS-8580 PCI-to-PCI extension system and install your PCI cards.

### 2.1 Content of package

PCIS-8580-4S package includes the following items:

- ▶ One LPCI-8575 in a individual carton
- ▶ One wall-mount chassis, which contains the following components pre-installed:
  - ▷ One LPCI-8575
  - ▷ One 5-slot backplane
  - ▷ One 200W AC power supply
- ▶ One ACL-PCIEXT-2 cable
- ▶ One AC power cord
- ▶ Wall-mount kit for chassis
- ▶ This User's Manual

PCIS-8580-13S package includes the following items:

- ▶ One LPCI-8575 in a individual carton
- ▶ One rack-mount chassis, which contains the following components pre-installed:
  - ▷ One LPCI-8575
  - ▷ One 14-slot backplane
  - ▷ One 400W AC power supply
- ▶ One ACL-PCIEXT-2 cable
- ▶ One AC power cord
- ▶ This User's Manual

If any of these items are missing or damaged, contact your ADLINK dealer. Save the shipping materials and carton in to ship or store the product in the future.

## 2.2 Unpacking

The ADLINK PCIS-8580 system contains some electro-static sensitive components that can be easily be damaged by static electricity. For this reason, the card and chassis should be handled on a grounded anti-static mat and the operator should wear an anti-static wristband during the unpacking and installation procedure.

Please also inspect the components for apparent damage. Improper shipping and handling may cause damage to the components. Be sure there are no shipping and handling damage on the components before continuing.

You are now ready to set up your PCIS-8580 PCI-to-PCI extension system.

**Note:** DO NOT APPLY POWER TO THE CARD OR CHASSIS IF IT HAS BEEN DAMAGED.

## 2.3 Getting Start

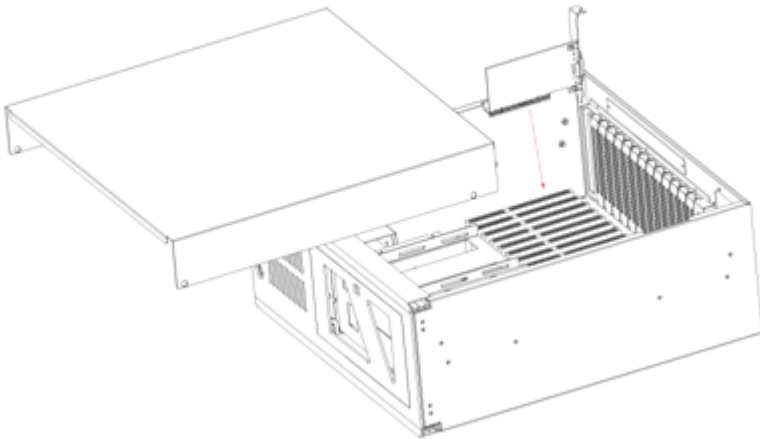
In this section, we'll illustrate the step-by-step instructions to set up your PCIS-8580 PCI-to-PCI extension system.

### Install PCI Extension Card into your Host System

The first step is to install the PCI extension card (LPCI-8575) into your host system. You can find an individual carton in the whole package which contains the PCI extension card. The steps of installation are:

1. Turn off your host computer.
2. Open the chassis of the host computer.
3. Remove the package of PCI extension card. (Please wear your anti-static facilities when you handle the card.)
4. Plug the PCI extension card into an available PCI slot and screw it to the chassis.
5. Close the chassis.



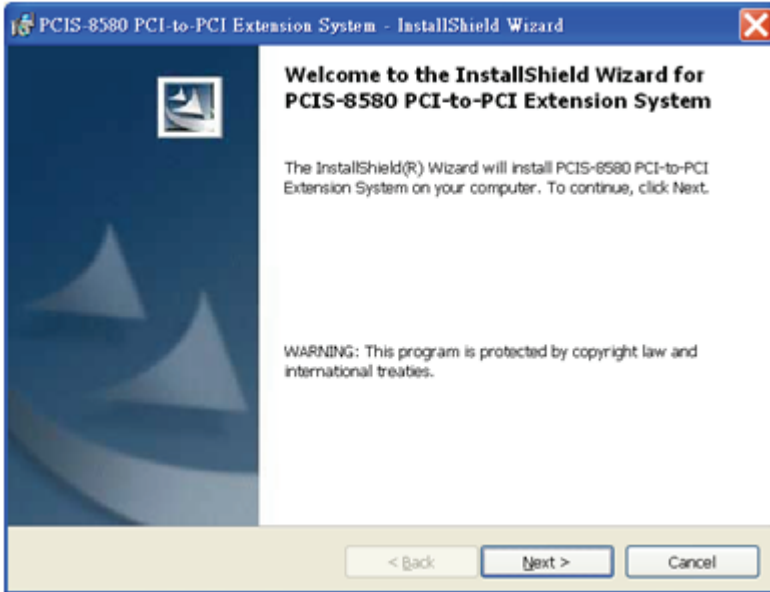


**Figure 2-1: Install the PCI extension card into your host system**

## **Driver Installation**

After installing the PCI extension card into your host computer, now you can turn on your computer and install the driver of PCI extension card. Please follow the following steps to finish the driver installation.

1. Insert the ADLINK ALL-In-One CD.
2. Execute `x:\Driver Installation\PCI Extension\PCIS_8580_setup.exe` to launch the setup program. (x: denotes your CD-ROM drive). A InstallShield® wizard appears to guide you finish the setup procedure.



**Figure 2-2: Installing the driver for PCI extension card**

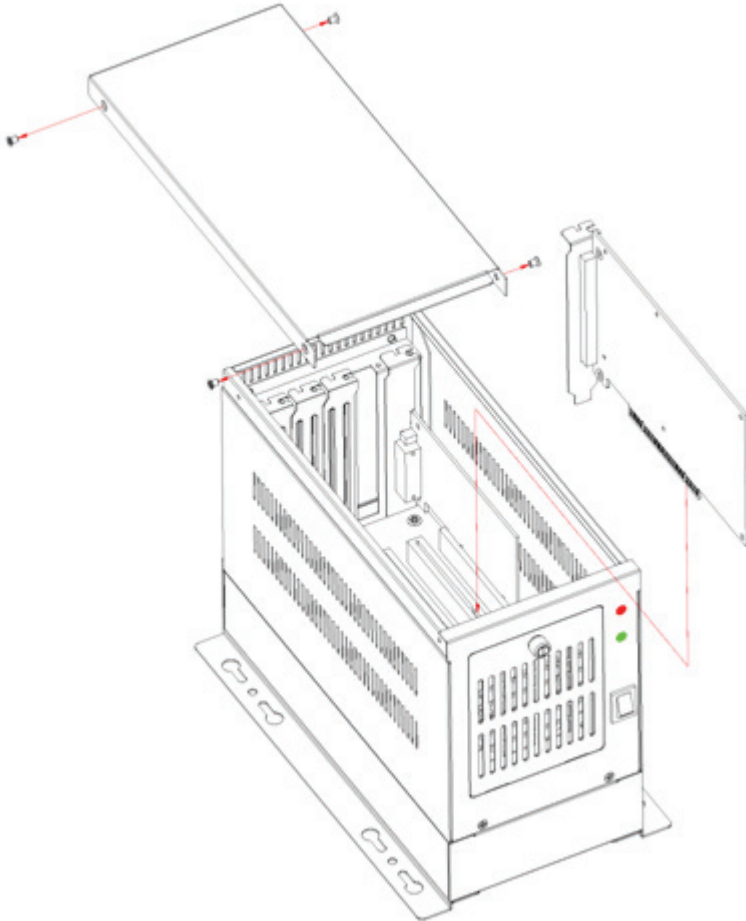
3. While setup finishes, please reboot your system. (Note: According to different hardware configuration, you may need to reboot your computer for several times to detect the StarFabric serialized bridge and its subsequent PCI devices.)

## **Install your PCI Card into the Extension Chassis**

The PCIS-8580 extension chassis can accommodate 4 additional PCI slots (PCIS-8580-4S) or 13 additional PCI slots (PCIS-8580-13S). This section illustrates the procedures to install your PCI cards into the extension chassis.

1. Open the extension chassis by loosen the screws and remove the top cover of the chassis. You'll see a back-plane inside the chassis.

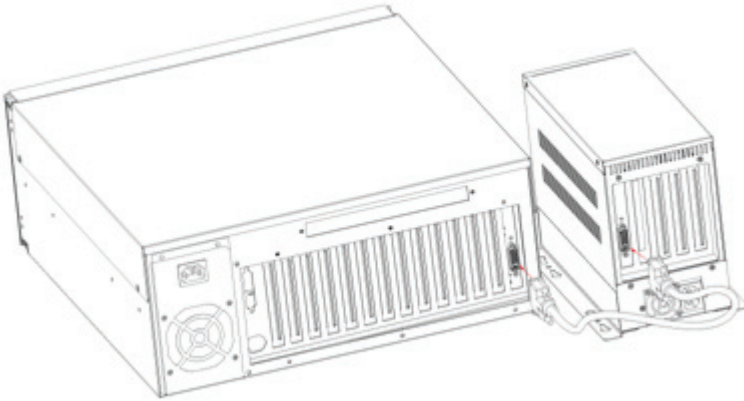
2. Plug you PCI cards into the extension chassis and screw them to the chassis.
3. Put the top cover and tighten the screws.



**Figure 2-3: Install your PCI cards into the extension chassis (using the PCIS-8580-4S as an example)**

## Connect to Extension Chassis

Your host computer and the extension chassis are connected via a cable (ACL-PCIEXT-2). This cable uses the DVI-D connector and customized shielding twisted pairs to make a robust high-speed serial link. Please DO NOT use standard DVI cable to connect your host computer and the extension chassis.



**Figure 2-4: Connect you host computer and extension chassis (using the PCIS-8580-4S as an example)**

## Power-on Sequence

To make the PCI-to-PCI extension system works well, you need to follow a correct power-on sequence for both extension chassis and host computer. The LINK indicators (a green LED) on the front-panel of the extension chassis and LPCI-8575 indicate the status of serial link between the extension chassis and the host computer. When the LINK LED is on, the link is good, otherwise when the LINK LED is off or blinking, the link is failed.

1. Make sure the cable is correctly connected and screw the connectos.
2. Turn on the extension chassis.
3. Turn on the host computer. At this time you'll see the LINK indicators on both sides are on.

The PCIS-8580-13S features a remote power-on function. When users enable the remote power-on function, the above power-on sequence can be neglected.



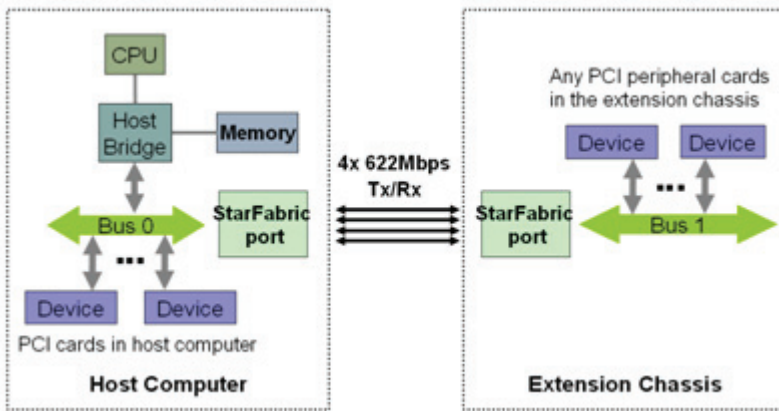
### 3 Hardware Overview

This chapter illustrates the basic hardware architecture of each component in the ADLINK PCIS-8580 PCI-to-PCI extension system.

#### 3.1 System Architecture

This section describes the operation theory and technology of the PCIS-8580 PCI-to-PCI extension system.

##### Operation Theory



**Figure 3-1: Operation theory of PCIS-8580 PCI-to-PCI extension system**

The PCIS-8580 PCI-to-PCI extension system utilizes the state-of-art StarFabric technology as the groundwork for extending the PCI bus. A PCI-StarFabric bridge located on the host computer provides an interface between PCI and StarFabric port, which translates the parallel PCI signals into serial frame format for transmission across StarFabric link. Each StarFabric link contains 4 pairs, 622Mps LVDS signals and provides 2.5Gbps total bandwidth to accommodate complete PCI traffic without any compromise in bandwidth. Error detection and error correction are automatically performed during the StarFabric transmission to guarantee the data integrity.

## 3.2 LPCI-8575 PCI Extension Card

This section describes the basic function, bus architecture and jumper settings of the PCI extension module LPCI-8575.

### Functional Block

The LPCI-8575 extension module is basically a PCI-to-PCI bridge. The PCI-to-PCI bridge function in the LPCI-8575 supports legacy address routed traffic, which provides 100% capability with PCI drivers, application software, BIOS, O/Ss, etc. These functions allow users to transfer their designs without extra effort.

The LPCI-8575 employs a serial interconnect technology, 622Mbps low voltage differential signaling (LVDS). Each LPCI-8575 extension module has one link port, the link port is divided into transmit (TX) and receive (RX). Four TX and RX differential pairs in the link are used to provide 2.5Gbps full duplex link bandwidth or 5Gbps of total bandwidth. Incorporated with the high speed serial LVDS, it is easy to extend the transmission up to 10 meters through shielded twisted pair copper cables.

Inside the PCI-to-PCI bridge, a PCI-to-StarFabric/StarFabric-to-PCI converter is used to translate PCI transactions into StarFabric frames and StarFabric frames into PCI transactions. The PCI interface of the LPCI-8575 is capable of 32-bit/66MHz. Thus the maximum data throughput can up to 264Mbytes/s. The PCI interface in LPCI-8575 acts like the primary side of a PCI-to-PCI bridge if LPCI-8575 is plugged into the peripheral slot.

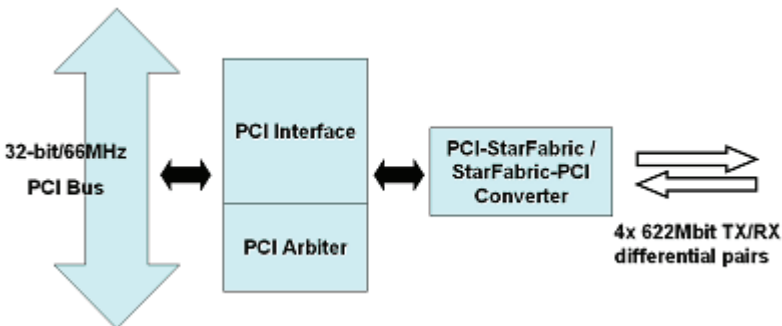


Figure 3-2: Concept of the serialized PCI bridge



## Jumper Settings for LPCI-8575

The following figure shows the locations of jumpers and the connector.

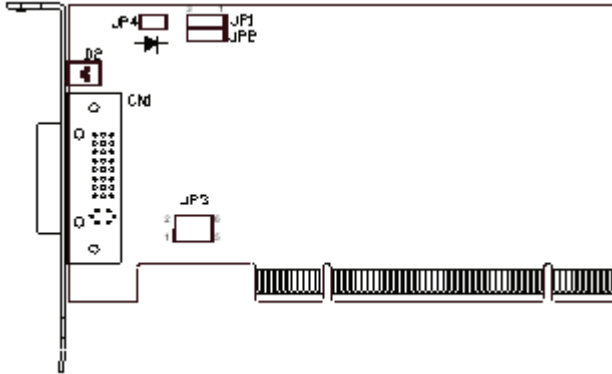


Figure 3-3: Jumpers and connectors on the LPCI-8575

Jumper / Connector / LED	Descriptions
CN1	A DVI-D connector for the serial link for PCI-to-PCI extension. <i>Please DO NOT connect CN1 to any monitor or video device.</i>
JP1	Spread spectrum control.
JP2	M66EN setting.
JP3	Peripheral / System slot selection.
JP4	Serial link status LED connector.
D2	Serial link status LED.

Table 3-1: Jumpers and connectors on the LPCI-8575


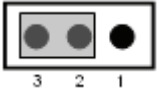
### Spread Spectrum Control, JP1

When LPCI-8575 plugged into the extension chassis, it provides a discrete clock signal to each of the peripheral slot defined as a PCI clock (CLK0, CLK1, CLK2 and CLK3).

An important feature of the LPCI-8575 extension modules is that it support 33MHz/66MHz clock operating environment. As system clock increase, electromagnetic interference (EMI) becomes a challenge for the system designers. LPCI-8575

adopts a spread-spectrum clock generator to help user to deal with this difficult task.

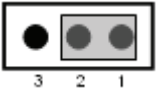
Spread spectrum clocking speeds up and slows down the clock within a few percent of its fundamental frequency. By reducing the peak amplitudes, the system will more likely meet EMI emission compliance standards. In other words, spread spectrum clocking distributes the energy that was originally concentrated on one frequency over a wider band. This method dramatically reduces the amount of EMI.

Spread Spectrum Control	JP1
OFF (default)	
ON	

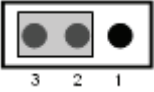
**Table 3-2: JP1 Settings**

### M66EN Setting, JP2

LPCI-8575 supports 32-bit PCI buses operating at 66MHz or 33MHz. A bundled link can support the full bandwidth of 32-bit/66MHz PCI bus. You can utilize the following configuration to set the operation frequency of your system.

JP2	Setting
	Auto detection mode enabled. When LPCI-8575 is plugged into system slot in the extended chassis, it will detect the configuration and operate at 33MHz or 66MHz automatically. If the backplane or any devices in the system do not support 66MHz PCI bus operations, LPCI-8575 will only operate at 33 MHz only.

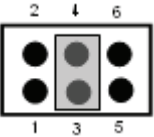
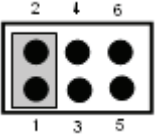
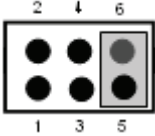
**Table 3-3: JP2 Settings**

JP2	Setting
 <p data-bbox="199 363 292 391">(Default)</p>	<p data-bbox="350 256 967 341">Auto detection mode disabled, force to 33MHz. PCI bus is forced to operate at 33 MHz. If your extended system is 66MHz capable, please switch JP2 to 1-2 contact.</p>

**Table 3-3: JP2 Settings**

**Peripheral / System Slot Selection, JP3**

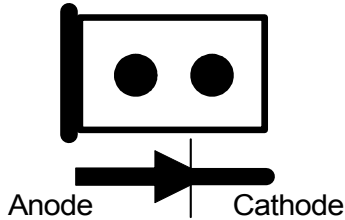
LPCI-8575 is a dual purpose PCI-to-PCI extension module. When LPCI-8575 plugged into a peripheral, it becomes a peripheral card. When LPCI-8575 plugged into the extension chassis system slot, it becomes a system card.

JP3 Setting	Descriptions
 <p data-bbox="262 900 355 927">(Default)</p>	<p data-bbox="421 786 900 842">Auto selection. LPCI-8575 will detect the slot configuration automatically.</p>
	<p data-bbox="421 1034 678 1061">Force to Peripheral slot.</p>
	<p data-bbox="421 1256 645 1283">Force to system slot.</p>

**Table 3-4: JP3 Settings**

### Serial Link Status LED Connector, JP4

The serial link status is shown on LED D2. LPCI-8575 also provides a LED connector for user's applications. The pin assignment of JP4 is shown in the following figure.



### Serial Link Status LED, D2

The LED D2 shows the serial link status. The following table shows the possible status of the LED when you turn on the extension chassis power and main system power.

LED status	Descriptions	How to solve?
ON	The serial link is synchronous. The power on sequence is correct.	
Twinkling	The serial link is not synchronous. The main system power is turned on before extension chassis power.	Reset the main system or re-boot the main system power after extension chassis power is on.
OFF	The serial link connection is not correct.	Check if the serial link cable is ok or not.

**Table 3-5: D2 Display**

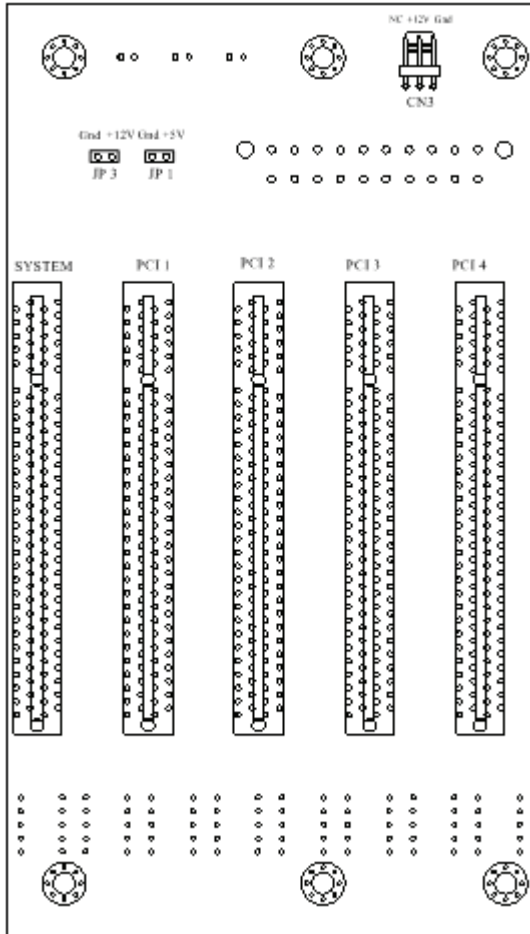
### **3.3 BP-8005**

This section describes the architecture and jumper settings of the BP-8005 backplane. The BP-8005 is for PCIS-8580-4S and is pre-installed in the RK-8005 chassis.

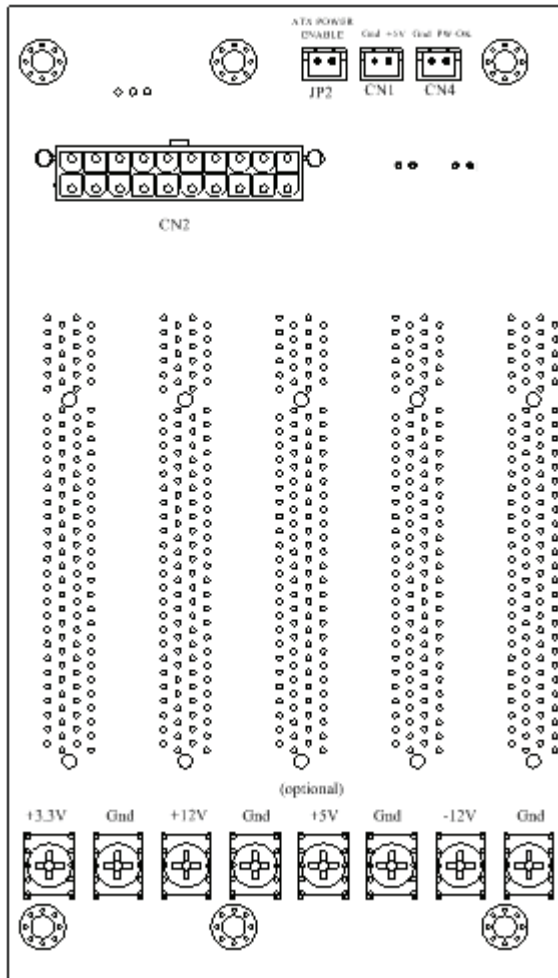
#### **Backplane Architecture**

The BP-8005 backplane provides 1 system slot and 4 available PCI peripheral slots. The system slot is occupied by a pre-installed

LPCI-8575 PCI extension card. The rest PCI slots are available for any 5V PCI peripheral cards.



**Figure 3-4: Top view of BP-8005 backplane**



**Figure 3-5: Bottom view of BP-8005 backplane**

## Jumpers and Connectors

Jumpers and connectors on the top side

JP/CN	Ended	Voltage Out	Description
CN3	3	+12V, GND	Fan connector for 12V fan
JP1	2	+5V, GND	LED connector
JP3	2	+12V, GND	Fan connector for 12V fan

**Table 3-6: Top side jumpers and connectors**

## Jumpers and connectors on the bottom side

JP/CN	Ended	Voltage Out	Description
CN1	2	5V, GND	LED connector
CN2	20	3.3V, $\pm$ 12V, 5V	ATX POWER connector
CN4	2	5V, GND	POWER-OK status connector
JP2	2	N/A	ATX POWER ENABLE

**Table 3-7: Bottom side jumpers and connectors**



### 3.4 RK-8005

RK-8005 is a robust industrial chassis for accommodating the BP-8005 backplane. The RK-8005 is a small, compact chassis (122mm x 195mm x 260mm) with a built-in 200W universal AC power supply. The RK-8005 is provided with a wall-mount kit so you can place it in many different environments.

#### Mechanical Drawing of RK-8005

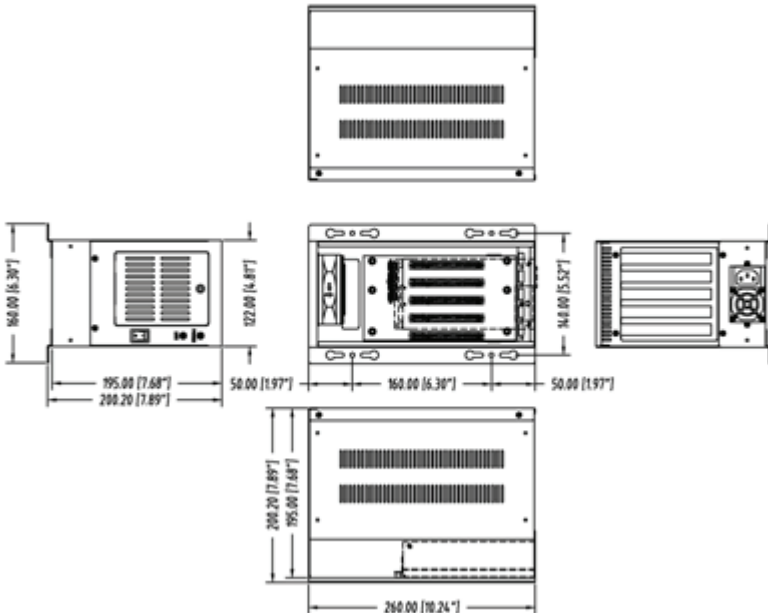


Figure 3-6: Mechanical drawing of RK-8005

### 3.5 BP-8014

This section describes the architecture and jumper settings of the BP-8014 backplane. The BP-8014 is for PCIS-8580-13S and is pre-installed in the RK-8014 chassis. The BP-8014 is specially designed to provide the remote power-on capability. When users turn on the host computer, the extension chassis will be automatically actuated. If the remote power-on function is enabled, the standard power-on sequence mentioned in Section 2.3 can be neglected.

#### Backplane Architecture

The BP-8014 backplane provides 1 system slot and 13 available PCI peripheral slots. The system slot is occupied by a pre-installed LPCI-8575 PCI extension card. The rest PCI slots are available for any 5V PCI peripheral cards.

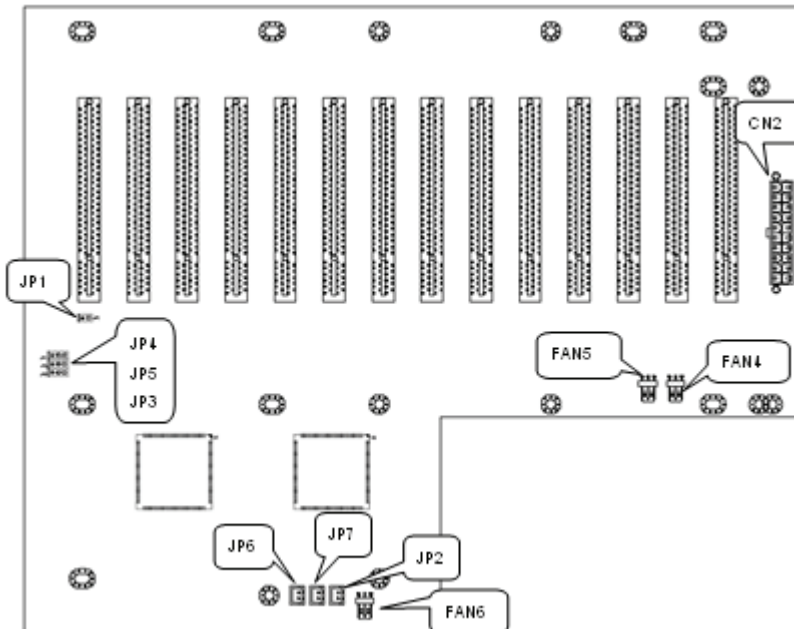


Figure 3-7: Top view of BP-8014 backplane

## Jumpers and Connectors

JP/CN	Ended	Voltage Out	Description
CN2	20	3.3V,±12V,5V	ATX POWER connector
FAN4	3	12V, GND	Fan connector for 12V fan
FAN5	3	12V, GND	Fan connector for 12V fan
FAN6	3	12V, GND	Fan connector for 12V fan
JP2	2	N/A	ATX POWER ENABLE
JP6	2	5V, GND	POWER-OK status connector
JP7	2	5V, GND	LED connector

**Table 3-8: BP-8014 jumpers and connectors**

## Remote Power-on Function

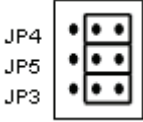
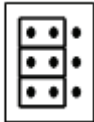
The BP-8014 features a remote power-on function. When users turn on the host computer and the cable is correctly connected, the extension chassis will be automatically actuated. The following table lists the jumpers related to the remote power-on function.

JP/CN	Ended	Voltage Out	Description
JP1	2	N/A	REMOTE POWER-ON Connector
JP3	3	N/A	REMOTE SELECT
JP4	3	N/A	REMOTE SELECT
JP5	3	N/A	REMOTE SELECT

**Table 3-9: Remote Power-on Function**

To enable the remote power-on function, please follow the following steps to correctly set the jumpers.

1. Correctly short the JP3, JP4 and JP5.

Normal power-on sequence	Remote power-on
 <p>JP4 JP5 JP3</p>	 <p>JP4 JP5 JP3</p>

2. Connect JP1 to the JP4 of the LPCI-8575.
3. Please notice that if the remote power-on function is enabled, the main power switch of the extension chassis will be ineffective.

### 3.6 RK-8014

RK-8014 is a robust industrial chassis for accommodating the BP-8014 backplane. The RK-8014 is a 19" rack-mount chassis with a built-in 400W universal AC power supply.

#### Mechanical Drawing of RK-8014

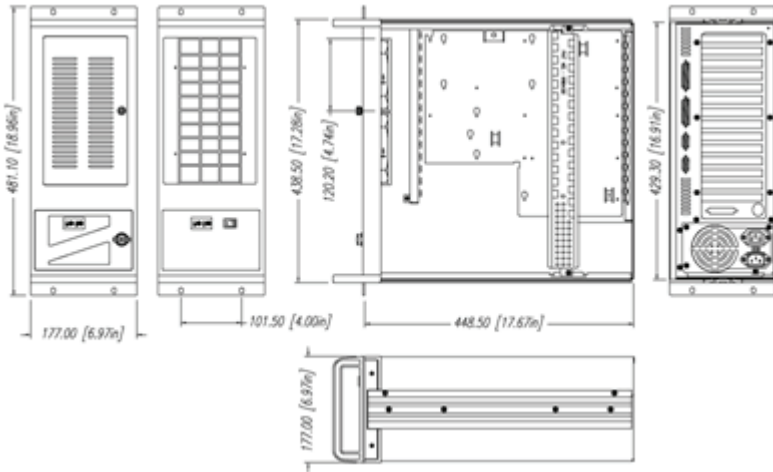


Figure 3-8: Mechanical drawing of RK-8014

### 3.7 ACL-PCIEXT-2

ACL-PCIEXT-2 is the cable connecting the host computer and the extension chassis. It is carefully designed to transmit 622Mbps LVDS signals. ACL-PCI-EXT-2 contains 8 pairs of shielding twisted copper wires and 2 DVI-D 24-pin connectors. For users who need longer extension distance, optional ACL-PCIEXT-5 (5m) and ACL-PCIEXT-10 (10m) are provided.

**Note:** THE ACL-PCIEXT-2 CABLE IS USED FOR PCIS-8680 ONLY. DO NOT APPLY ACL-PCIEXT-2 TO ANY OTHER DEVICES TO AVOID UNEXPECTED DAMAGES.

#### Pin Assignment of ACL-PCIEXT-2

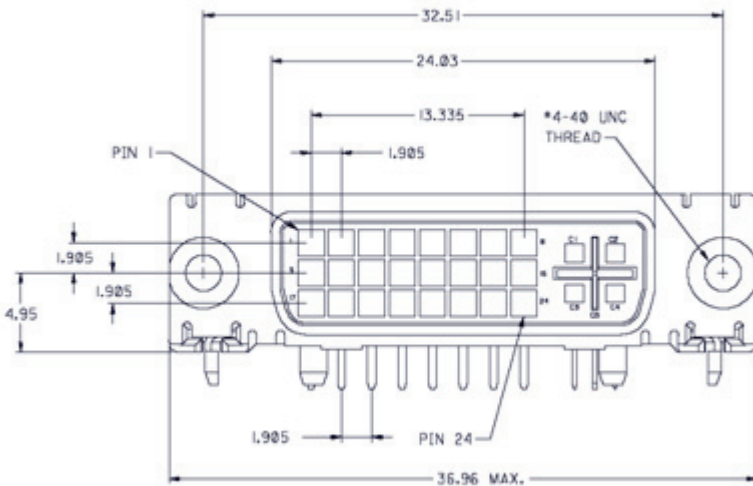


Figure 3-9: DVI Connector pins and dimensions

#1	#2	#3	#4	#5	#6	#7	#8
RX3+	RX3-	Shield	TX0+	TX0-	Shield	TX1+	TX1-
#9	#10	#11	#12	#13	#14	#15	#16
RX2+	RX2-	Shield	Shield	Shield	Shield	TX2+	TX2-
#17	#18	#19	#20	#21	#22	#23	#24
RX1+	RX1-	Shield	RX0+	RX0-	Shield	TX3+	TX3-

Table 3-10: Pin Assignment of ACL-PCIEXT-2

## Warranty Policy

Thank you for choosing ADLINK. To understand your rights and enjoy all the after-sales services we offer, please read the following carefully.

1. Before using ADLINK's products please read the user manual and follow the instructions exactly. When sending in damaged products for repair, please attach an RMA application form which can be downloaded from: <http://rma.adlinktech.com/policy/>.
2. All ADLINK products come with a limited two-year warranty, one year for products bought in China:
  - ▶ The warranty period starts on the day the product is shipped from ADLINK's factory.
  - ▶ Peripherals and third-party products not manufactured by ADLINK will be covered by the original manufacturers' warranty.
  - ▶ For products containing storage devices (hard drives, flash cards, etc.), please back up your data before sending them for repair. ADLINK is not responsible for any loss of data.
  - ▶ Please ensure the use of properly licensed software with our systems. ADLINK does not condone the use of pirated software and will not service systems using such software. ADLINK will not be held legally responsible for products shipped with unlicensed software installed by the user.
  - ▶ For general repairs, please do not include peripheral accessories. If peripherals need to be included, be certain to specify which items you sent on the RMA Request & Confirmation Form. ADLINK is not responsible for items not listed on the RMA Request & Confirmation Form.

3. Our repair service is not covered by ADLINK's guarantee in the following situations:
  - ▶ Damage caused by not following instructions in the User's Manual.
  - ▶ Damage caused by carelessness on the user's part during product transportation.
  - ▶ Damage caused by fire, earthquakes, floods, lightning, pollution, other acts of God, and/or incorrect usage of voltage transformers.
  - ▶ Damage caused by unsuitable storage environments (i.e. high temperatures, high humidity, or volatile chemicals).
  - ▶ Damage caused by leakage of battery fluid during or after change of batteries by customer/user.
  - ▶ Damage from improper repair by unauthorized ADLINK technicians.
  - ▶ Products with altered and/or damaged serial numbers are not entitled to our service.
  - ▶ This warranty is not transferable or extendible.
  - ▶ Other categories not protected under our warranty.
4. Customers are responsible for shipping costs to transport damaged products to our company or sales office.
5. To ensure the speed and quality of product repair, please download an RMA application form from our company website: <http://rma.adlinktech.com/policy>. Damaged products with attached RMA forms receive priority.

If you have any further questions, please email our FAE staff: [service@adlinktech.com](mailto:service@adlinktech.com).